

70 SERIES HC70WC5R3



5MP IR Corner Camera



OPERATIONAL	
Video Standard	NTSC/PAL
Scanning System	Progressive
Image Sensor	Sony IMX335, 1/2.8" CMOS
Sensor Size (H x V)	5.18 x 3.89 mm
Number of Pixels (H x V)	2592 x 1944 (5MP)
Minimum Illumination (Color / BW)	COLOR: 0.5 LUX @ F1.4; B/W: 0.5 LUX @ F1.4 (To Be Update)
S / N Ratio	>50dB
Electronic Shutter Speed	Manual: 1/2-1/10,000s
IR / White LED Distance&Control	Built-in IR LED: - Effective up to 6x6m room cell - 940nm (no glow) Built-in White LED: Sufficient for an "elevator" area (2x2m area) * IR/White LED control: User choice power design (Alternative) * 2-3pcs Hi-power IR LED + 4pcs White LED (TBD) * Power budget: PoE-only * Camera set up in approx 3m height installation * Clear PC for better IR/white LED's illumination
Removable IR-Cut Filter	Yes
Day / Night	Auto/Day/Night/Schedule
Backlight Compensation	WDR, HLC
White Balance	Auto/Fixed Current/Manual
Gain Control	0-100%
Wide Dynamic Range	120 dB
Noise Reduction	3D DNR
Lens	High-megapixel f2.4mm, F2.1, M12 Ricom MTV2.4-IR(5MP)-C-S(M1G)-A(TV)
Angle Of View (H x V)	Horizontal: 130°, Vertical: 93° (+3%)
Privacy Masking	Off / On (5 Areas)
Defog	Support
Encryption Chipset	Built-in FIPS 140-2 certified encryption Chipset
Local Storage	1 x microSDHC/SDXC slot, support up to 1TB
Alarm Inputs / Outputs	1 In / 1 Reply out
VIDEO	
Video Compression	H.265 HEVC / H.264 / MJPEG, Smart Codec
Resolution (16/9)	2560 x 1440/1920 x 1080/1600 x 904/1360 x 768/1280 x 720/640 x 360
Resolution (4/3)	2560 x 1920/1600 x 1200/1280 x 960/640 x 480
Number of Video Streams	3
Frame Rate Main Stream	2560 x 1440/1920 x 1080/1600 x 904/1360 x 768/1280 x 720/640 x 360 (1-25/30fps),
Frame Rate Second Stream	2560 x 1440/1920 x 1080/1600 x 904/1360 x 768/1280 x 720/640 x 360 (1-25/30fps),
Frame Rate Third Stream	1280 x 960/640 x 480 (1-25/30fps)
Bit Rate	16K - 80Mbps
AUDIO	
Audio Compression	G.711a/ G.711Mu/G.726
Audio Stream	Full duplex, simplex
Audio Interface	Line In/Out, Built-in Microphone(with waterproof feature, IPx7 level), Built-in Speaker(Sufficient for a cell room / elevator (by Gore-vent film designed)

NETWORK	
Ethernet	IEEE 802.3, 10/100 Base-T/TX, auto sensing
Supported Web Browsers	Mozilla Firefox, Chrome, Microsoft Edge
Supported OS	Microsoft Windows 10
Protocols*	IPv4, IPv6, TCP/IP, HTTP, HTTPS, UPnP, RTSP/RTP/RTCP, IGMP/Multicast, SMT, DHCP, NTP, DNS, DDNS, CoS, QoS, SNMP, 802.1X, UDP, ICMP, ARP, TLS
Interoperability	ONVIF Profile S/G/Q/T
Maximum Users Access	10 Users
Security	User account and password protection, HTTPS, IP Filter, Digest authentication, TLS1.2 only, Stream encryption, AES128/256, SSH/Telnet closed, PCIDSS compliance, FIPS 140-2 certified Chipset Built-In
Languages Supported	English, French, German, Italian, Japanese, Portuguese, Russian, Spanish, Traditional Chinese
EVENTS / ANALYTICS	
Video Analytics (Built-in)	Intrusion Detection, Loiter Detection, Line crossing, Face Detection, Object left unattended, Object Removed, Motion Detection, Tampering detection
Video Analytics (Additional license required)	People recognition, Face recognition
Event Type	Video Analytics, Periodically, Alarm input, System boot, Recording notification
Event Linkage	Event notification using digital output, HTTP, Email and MicroSD card
Region Of Interest	6
ELECTRICAL	
Power Supply	AC24V, DC 12V, PoE (IEEE 802.3af, Class 3)
Power Consumption (Max)	Under 12.95W
MECHANICAL	
Dimensions (D x D x H)	Approx 206.0 x 202.0 x 59.0mm (8.11" x 7.95" x 2.32")
Product Weight	Approx 1.2 kg (2.65lb)
Package Weight	Approx 1.6kg (3.53lb)
Body Material	Aluminum die-casting
Color	RAL 7047
ENVIRONMENTAL	
Operating Temperature	-10°C to 50 °C (14°F to 122°F)
Storage Temperature	-40°C to 60 °C (-40°F to 140°F)
Relative Humidity	90%, non-condensing
Ingress Protection	IP66/NEMA 4X
Impact Resistance	IK10+
Gore-Vent	Support (for speaker)

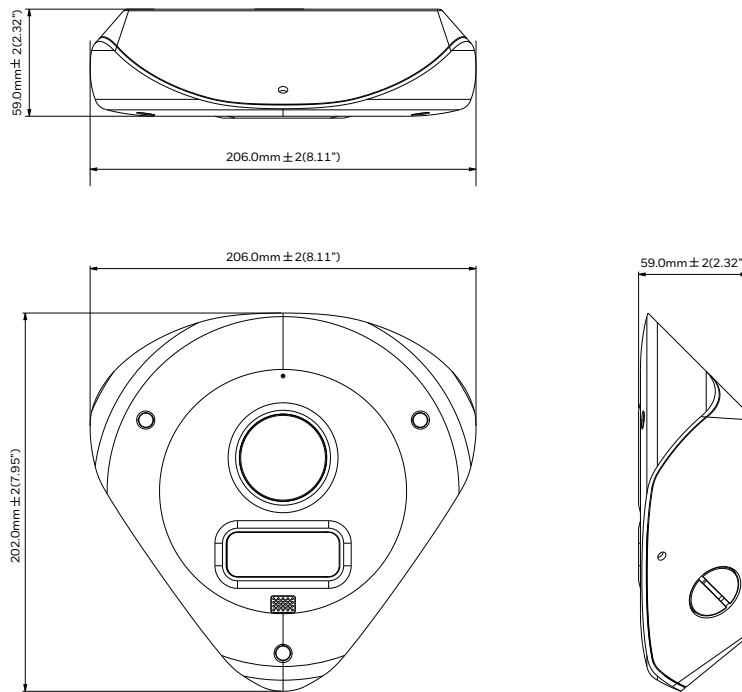
Honeywell

70 SERIES 5MP IR CORNER CAMERA

REGULATORY		SYSTEM COMPATIBILITY	
EMC	EN 50130-4, EN 55024, EN 55032, FCC PART 15, IEC5-003, Comply with RCM and UKCA, IEC 61000-3-2, IEC 61000-3-3, IEC 61000-6-3	Pro-Watch NVR	Up to 256 IP Channels RAID5/6 Enterprise NVR
Safety	UL LISTED TO UL/CSA 62368-1, CE(EN 62368-1), IEC 62368-1, Comply with RCM and UKCA	Maxpro NVR PE	Up to 128 IP Channels RAID5/6 Enterprise NVR
Environment	IEC/EN 62262, IEC/EN 60529, NEMA 250 Type 4X, IEC 60068-2-1, IEC 60068-2-2, IEC 60068-2-6, IEC 60068-2-14, IEC 60068-2-27, IEC 60068-2-30, IEC 60068-2-78, EN63000, UAE(Cabinet Decree No.10 of 2017)	Maxpro NVR SE	Up to 64 IP Channels System NVR
Network	NIST SP500-267	Maxpro NVR XE	Up to 16 IP Channels System NVR
Country of Origin	Taiwan	Maxpro NVR Software	Up to 128 IP Channels Recording Software
		Adpro NVR Fasttrace 2E	Up to 32 IP Channels with up to 32 VA Channels NVRs
		Adpro NVR iFT-E	Up to 32 IP Channels with up to 32 VA Channels NVRs
		Adpro NVR iFT	Up to 32 IP Channels or 16 IP Channels with up to 16 VA Channels NVRs
		Adpro NVR iFT Gateway	4 IP Channels + 4 VA Channels
		Honeywell DVM	Supported with Honeywell DVM R700, DVM R620
		30 Series NVR	Integration with 30 Series NVR

ORDERING	
HC70WC5R3	5MP AI Wide-angle IR IK10+

DIMENSIONS



For more information
buildings.honeywell.com/security

Honeywell Commercial Security
 715 Peachtree St. NE
 Atlanta, GA 30308
 1.800.323.4576
www.honeywell.com



ONVIF and the ONVIF logo are trademarks of ONVIF Inc.
 HEVC Advance logo is a trademark of HEVC Advance
 Honeywell reserves the right, without notification, to
 make changes in product design or specifications.

HSV-HC70WC5R3-01-US(0921)DS-Y
 © 2021 Honeywell International Inc.

