

# 60 SERIES HC60WM20R1



## 20MP Multi-sensor Camera



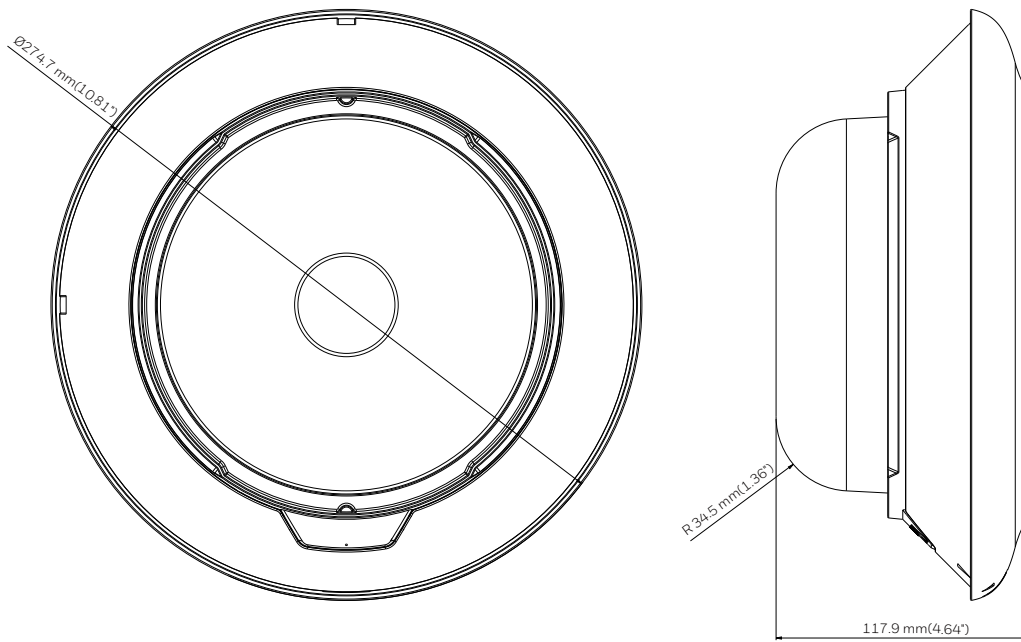
OPERATIONAL	
Video Standard	NTSC / PAL
Scanning System	Progressive
Image Sensor	OmniVision OS05A20, 1/2.7"
Sensor Size (H x V)	5.43 x 3.95 mm for each sensor
Number of Pixels (H x V)	2688 x 1944 (5 MP) x 4 sensors
Minimum Illumination (Color/BW)	Color: 0.5 Lux @F1.5, B/W: 0Lux @F1.5(IR on) TBD
S/N Ratio	>50 dB TBD
Electronic Shutter Speed	1/32,000 - 1/5 sec.
IR Distance	Up to 30m with Smart IR
IR Light Control	Smart IR (Auto/Manual 0-100%), External IR trigger by output
IR Light Number	22
Removable IR-Cut Filter	Yes
Day/Night	Auto/Day/Night/Schedule
Backlight Compensation	WDR, HLC
White Balance	Auto/Fixed Current/Manual
Gain Control	0-100%
Wide Dynamic Range	130 dB
Noise Reduction	3D DNR
Lens	Remote Focus, 3.6 mm - 11 mm, MFZ, P - IRIS, F1.5 - F2.8
Angle Of View (H x V)	H: 38.3° ~ 83.9°, V: 21.5° ~ 45.3°
Privacy Masking	Off / On (5 Areas)
Defog	Supported
Encryption Chipset	Built-in FIPS 140-2 certified encryption chipset
Local Storage	1 Micro SD/SDHC/SDXC card slot, SD card encryption
Micro USB	Support WIFI Dongle configuration
Alarm Inputs / Outputs	1 In / 1 Out
VIDEO	
Video Compression	H.265 HEVC / H.264 / MJPEG, Smart Codec
Resolution (16/9)	2592 x 1944 (5M), 2688 x 1520 (4M), 2048 x 1536 (3M), 1920 x 1080 (2M), 1280 x 960, 1280 x 720 (1M), 800 x 600, 640 x 480, 640 x 360, 320 x 240
Number of Video Streams	3
Frame Rate Main Stream	30fps (5M mode), 60fps (2M mode)
Frame Rate Second Stream	30fps (5M mode), 60fps (2M mode)
Frame Rate Third Stream	30fps (5M mode), 60fps (2M mode)
Bit Rate	16 K - 80 Mbps
AUDIO	
Audio Compression	G.711/G.726
Audio Stream	Full duplex, simplex
Audio Interface	Line In/Out, Built-in Microphone
NETWORK	
Ethernet	10 Base-T/100 Base-TX/1000 Base-T Ethernet (RJ-45)
Supported Web Browsers	Mozilla Firefox, Chrome, Microsoft Edge
Supported OS	Microsoft Windows 10
Protocols*	IPv4, IPv6, TCP/IP, HTTP, HTTPS, UPnP, RTSP/RTP/RTCP, IGMP/Multicast, SMTP, DHCP, NTP, DNS, DDNS, CoS, QoS, SNMP, 802.1X, UDP, ICMP, ARP, TLS

Interoperability	ONVIF Profile G/S/T
Maximum Users Access	10 Users
Security	User account and password protection, HTTPS, IP Filter, Digest authentication, TLS1.2 only, Stream encryption, AES128/256, SSH/Telnet closed, PCIDSS compliance, FIPS 140-2 certified Chipset Built-In
Languages Supported	English, French, German, Italian, Japanese, Portuguese, Russian, Spanish, Traditional Chinese
EVENTS / ANALYTICS	
Video Analytics (Built-in)	Intrusion Detection, Loiter Detection, Line Crossing, Face Detection, Object Left Unattended, Object Removed, Motion Detection, Tampering Detection
Video Analytics (Additional license required)	License Plate Recognition, People Recognition, Face Recognition
Event Type	Video Analytics, Periodically, Alarm Input, System Boot, Recording Notification
Event Linkage	Event notification using digital output, HTTP, Email and MicroSD card
Region Of Interest	6
ELECTRICAL	
Power Supply	AC24V, PoE (IEEE 802.3bt, Class 8)
Power Consumption (Max)	84.84 W
MECHANICAL	
Dimensions (D x D x H)	274.7 mm x 274.7 mm x 117.9 mm (10.81" x 10.81" x 4.64")
Dome Diameter	274.7 mm (10.81")
Product Weight	2.7 kg (5.95lb)
Package Weight	3.7 kg (8.16lb)
Body Material	Metal (Die-cast aluminium with powder coating)
Color	RAL 120-1 (Honeywell White)
ENVIRONMENTAL	
Operating Temperature	-40°C to +50°C (-40°F - 122°F)
Relative Humidity	90%, non-condensing
Ingress Protection	IP66/NEMA 4X
Impact Resistance	IK10
Gore-Vent	Yes
REGULATORY	
Emissions	EN 50130-4, EN 55035, EN 55032, FCC PART 15, IECs-003, Comply with RCM and UKCA, IEC 61000-3-2, IEC 61000-3-3, IEC 61000-6-3
Immunity	UL LISTED TO UL/CSA 62368-1, CE(EN 62368-1), IEC 62368-1, UL/CSA 60950-22, CE(EN 60950-22), Comply with RCM and UKCA
Safety	IEC/EN 62262, IEC/EN 60529, NEMA 250 Type 4X, IEC 60068-2-1, IEC 60068-2-2, IEC 60068-2-6, IEC 60068-2-14, IEC 60068-2-27, IEC 60068-2-30, IEC 60068-2-78, ISO 4892-2, EN 63000, UAE(- Cabinet Decree No.10 of 2017)
RoHS	NIST SP500-267
Country of Origin	Taiwan

**Honeywell**

# 60 SERIES 20MP MULTI-SENSOR CAMERA

## DIMENSIONS



## RECOMMENDED ACCESSORIES AND ORDERING

SYSTEM COMPATIBILITY	
Pro-Watch NVR	Up to 256 IP channels RAID5/6 Enterprise NVR
Maxpro NVR PE	Up to 128 IP channels RAID5/6 Enterprise NVR
Maxpro NVR SE	Up to 64 IP Channels System NVR
Maxpro NVR XE	Up to 16 IP Channels System NVR
Maxpro NVR Software	Up to 128 IP Channels Recording Software
Adpro NVR Fasttrace 2E	Up to 32 IP Channels with up to 32 VA Channels NVRs
Adpro NVR iFT-E	Up to 32 IP Channels with up to 32 VA Channels NVRs
Adpro NVR iFT	Up to 32 IP Channels or 16 IP Channels with up to 16 VA Channels NVRs
ADPRO NVR eFT	Up to 16 IP channels or 8 IP channels with up to 8 VA channels NVRs
Adpro NVR iFT Gateway	4 IP Channels + 4 VA Channels
HEN*4	8/16/32/64-channel Performance Series NVRs (H.264 and H.265)
Honeywell DVM	Supported with Honeywell DVM R700, DVM R620
HEN*3	4/8/16-channel Performance Series NVRs (H.264 and H.265)
30 Series NVR	Integration with 30 Series NVR
Third Party systems	Milestone, Openeye, ...

OPTIONAL MOUNTS AND ACCESSORIES	
HA60ICMM	60 series multi-sensor camera in-ceiling mount bracket
HA60PMBM	60 series multi-sensor camera pendant mount base
HA60PMEM	60 series multi-sensor camera pendant mount extend bracket
HA60PMCM	60 series multi-sensor camera pendant mount cap
HA60MLMM	60 series multi-sensor camera wall mount bracket
ORDERING	
HC60WM20R1	20MP Network Multisensor Camera, TDN, WDR, 1/2.7" CMOS, 3.7-7.7mm MFZ, H.265, PoE, IP66/IK10, NDAA Compliant

### For more information

[buildings.honeywell.com/security](http://buildings.honeywell.com/security)



HEVC<sup>Advance</sup>

### Honeywell Commercial Security

715 Peachtree St. NE  
Atlanta, GA 30308  
1.800.323.4576  
[www.honeywell.com](http://www.honeywell.com)

ONVIF and the ONVIF logo are trademarks of ONVIF Inc.  
HEVC Advance logo is a trademark of HEVC Advance  
Honeywell reserves the right, without notification, to make changes in product design or specifications.

HSV-HC60WM20R1-01-US(0522)DS-Y  
© 2022 Honeywell International Inc.