

35 SERIES

HC35WZ2R25

HC35WZ5R30



2MP/5MP IP WDR IR Speed Dome (PTZ) Camera



OPERATIONAL	
Video Standard	NTSC/PAL
Scanning System	Progressive
Image Sensor	1/2.8" CMOS
Sensor size (H x V)	HC35WZ2R25: 5.568 mm x 3.132 mm HC35WZ5R30: 5.184 mm x 3.888 mm
Number Of Pixels (H x V)	HC35WZ2R25: 1920 x 1080 HC35WZ5R30: 2592 x 1944
Minimum Illumination (Color/BW)	Color: 0.005 lux @F1.6 BW: 0. lux @F1.6 (IR on)
S/N Ratio	50 dB
Electronic Shutter Speed	1/1 to 1/30,000 sec
IR Distance	up to 150 m
IR Light Control	Smart IR (Auto/Manual)/OFF
IR Light Number	10
Day/Night	Auto (ICR) / Color / BW
Backlight Compensation	WDR, BLC, HLC
White Balance	Auto/Tungsten/Daylight/Manual
Gain Control	0~100%
Wide Dynamic Range	120 dB
Noise Reduction	2D/3D DNR
Lens	HC35WZ2R25: 25x Optical Zoom , 16x Digital Zoom Auto Focus , 5-125 mm , P iris, F1.6-F3.67 HC35WZ5R30: 30x Optical Zoom , 16x Digital Zoom Auto Focus , 5.3-159mm , P iris, F1.6-F4.3
Electronic Image Stabilization	Supported
Angle Of View	HC35WZ2R25: H: 57.02° - 3.36°, V: 33.14° - 1.91° HC35WZ5R30: H: 56.62° - 2.48°, V: 42.76° - 1.91°
Privacy Masking	Off / On (up to 5 Areas)
Defog	Support
Local Storage	Micro SD (up to 256 GB)
Alarm Inputs / Outputs	2 In / 2 Out
PTZ	
Pan Speed	0.1°~180°/s
Pan Range	0°-360°
Tilt Speed	0.1°~90°/s
Tilt Range	-10°~+90°
Preset Locations	256 preset locations
Preset Accuracy	0.2°
Auto Pan Scan	Supported
Patrol	12
Recording Patrol	6
Auto Resume After Power Failure	Resume to Home position

VIDEO	
Video Compression	H.265 HEVC/H.264/MJPEG, Smart Codec
Resolution	HC35WZ2R25: 1st: 1920 x 1080/1280 x 720 2nd: 704 x 576(PAL)/704 x 480(NTSC)/640 x 480/352 x 288(PAL)/352 x 240(NTSC) 3rd: 640 x 480/352 x 288(PAL)/352 x 240(NTSC)/320 x 240 HC35WZ5R30: 1st: 2592 x 1944/2592 x 1520/1920 x 1080/1280 x 720 2nd: 704 x 576(PAL)/704 x 480(NTSC)/640 x 480/352 x 288(PAL)/352 x 240(NTSC) 3rd: 640 x 480/352 x 288(PAL)/352 x 240(NTSC)/320 x 240
Number Of Video Streams	3 (2 for encryption)
Frame Rate Main Stream*	HC35WZ2R25: MAX 30fps (WDR On) MAX 60fps (WDR Off) HC35WZ5R30: MAX 30fps
Frame Rate Second Stream*	MAX 30fps
Frame Rate Third Stream*	MAX 30fps
Bit Rate*	100K-12Mbps
AUDIO	
Audio Compression	G.711A/G.711U
Audio Stream	2-Way, Full duplex
Audio Interface	Line In/Out
NETWORK	
Ethernet	10 Base-T/100 Base-TX Ethernet (RJ-45)
Supported Web Browsers	Chrome/Edge
Supported OS	Microsoft Windows 10
Protocols**	IPv4, IPv6, TCP / IP, HTTP, HTTPS, RTSP / RTP / RTCP, IGMP / Multicast, SMTP, DHCP, NTP, DNS, QoS, SNMP, 802.1X, UDP, ICMP, ARP, TLS
Interoperability	ONVIF Profile G/S/T
Maximum Users Access	10 Users
Security	User account and password protection, HTTPS, IP Filter, Digest authentication, TLS1.2 only, Stream encryption, AES128 / 256, SSH / Telnet closed, PCI-DSS compliance
Languages Supported	Arabic, Czech, Dutch, English, French, German, Italian, Japanese, Korean, Polish, Portuguese (Brazil), Russian, Spanish, Turkish

*For detailed information about frame rate and bit rate, please refer to the User Guide.

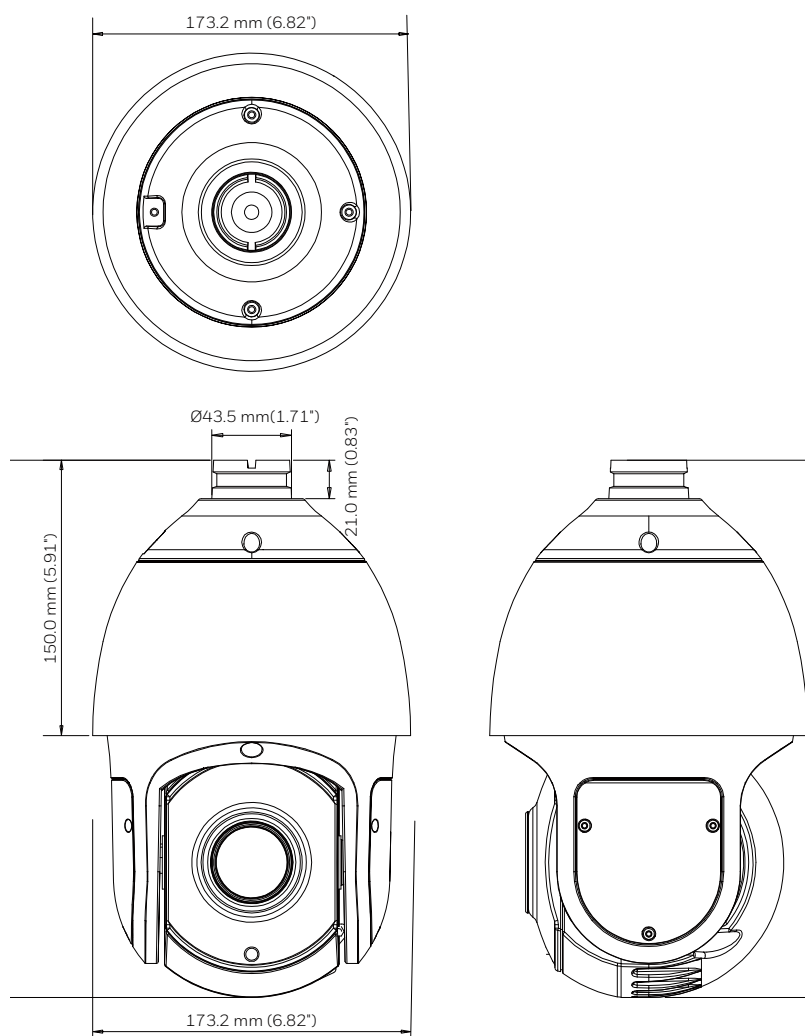
** Some development may be required in specific user cases to support some of these protocols in the field as they mature over time.

35 SERIES 2MP/5MP IP WDR IR SPEED DOME (PTZ) CAMERA

EVENTS	
Built-in Video Analytics	People Counter, Multi Loitering, Intrusion, Tampering, Smart Motion Detection (SMD), Motion Detection
Event type	Video motion detection, Alarm input, Recording notification, Tampering
Event linkage	Event notification using digital output, Email and MicroSD card
Region Of Interest	Off/On (8 Zone, Rectangle)
ELECTRICAL	
Power Supply	AC24V, 3A, 50-60 Hz; PoE+ (IEEE 802.3at) (Class 4)
Power Consumption (Max)	MAX 24 W
MECHANICAL	
Dimensions	Ø173.2 mm x 292.6 mm (6.82" x 11.52")
Product Weight	3.5 kg (7.71 lb)
Package Weight	5.75 kg (12.68 lb)
Body Material	Die-cast aluminium housing
Color	Camera Body: RAL 9003 (Signal White) Front/Lens Facings: Pantone Black

ENVIRONMENTAL	
Operating Temperature	Starting Temperature: -40 °C ~ 60 °C (-40 °F ~ 140 °F) Working Temperature: -40 °C ~ 70 °C (-40 °F ~ 158 °F) (IR OFF)
Relative Humidity	Less than 90 %, non-condensing
Ingress Protection	IP67
PTZ casing	IK10
Heater/Fan	Supported
REGULATORY	
Emissions	FCC PART 15, CE (EN 55032), Complies with RCM and UKCA
Immunity	CE(EN 50130-4), Complies with RCM and UKCA
Safety	UL LISTED TO UL/CSA 62368-1, CE(EN 62368-1), CE(EN 60950-22), Complies with RCM and UKCA
RoHS	CE(EN 63000),JAE(Cabinet Decree No.10 of 2017)
Country of Origin	Vietnam, India

DIMENSIONS



35 SERIES 2MP/5MP IP WDR IR SPEED DOME (PTZ) CAMERA

RECOMMENDED ACCESSORIES AND ORDERING

SYSTEM COMPATIBILITY*	
Pro-Watch NVR	Up to 256 IP Channels RAID5/6 Enterprise NVR
Maxpro NVR PE	Up to 128 IP Channels RAID5/6 Enterprise NVR
Maxpro NVR SE	Up to 64 IP Channels System NVR
Maxpro NVR XE	Up to 16 IP Channels System NVR
Maxpro NVR Software	Up to 128 IP Channels Recording Software
Honeywell DVM	Support with Honeywell DVM R7.10.1 (and later maintenance releases)
30 Series NVR	Integration with 30 Series NVR
35 Series NVR**	Integration with 35 Series NVR

OPTIONAL MOUNTS AND ACCESSORIES	
HA60WLMZ	60S Wall Mount Bracket
HA60PLMZ	60S Pole Mount Adapter
HA60CNMZ	60S Corner Mount Adapter

*Refer to the NVR integration matrix for more information.

**35 Series NVR will be released in June 2022.

ORDERING	
HC35WZ2R25	2 MP IR Speed Dome (PTZ) Camera, WDR 120dB, 25X optical zoom, 1/2.8" 2MP, PoE+, 24VAC, IK10 Casing
HC35WZ5R30	5 MP IR Speed Dome (PTZ) Camera, WDR 120dB, 30X optical zoom, 1/2.8" 5MP, PoE+, 24VAC, IK10 Casing



HEVC Advance™

For More Information

www.honeywellbuildings.in

Email: HBT-Indiabuildings@honeywell.com

Honeywell HBT India Buildings

Unitech Trade Center, 5th Floor, Sector-43

Block C, Sushant Lok Phase - I,

Gurgaon - 122 002.

Tel : 000-8000-502167

www.honeywell.com

ONVIF and the ONVIF logo are trademarks of ONVIF Inc.
Honeywell reserves the right, without notification, to
make changes in product design or specifications.

HSV-HC35WZxRxx-01-IN(0622)DS-Y
© 2022 Honeywell International Inc.

Honeywell