

35 SERIES HC35WB5R5



5MP IP WDR IR Bullet Camera



OPERATIONAL	
Video Standard	NTSC/PAL
Scanning System	Progressive
Image Sensor	1/2.8" CMOS
Sensor Size (H x V)	5.184 mm x 3.888 mm
Number Of Pixels(H x V)	2592 x 1944
Minimum Illumination (Color/BW)	0.007 Lux/F1.9 (Color,30IRE), 0 Lux/F1.9 (IR ON)
S/N Ratio	55 dB
Electronic Shutter Speed	1/8 ~ 1/100,000
IR Distance	Up to 100 m
IR Light Control	Smart IR /Manual IR/OFF
IR Light Number	10
Day/Night	Auto (ICR) / Color / BW
Backlight Compensation	WDR, BLC, HLC
White Balance	Auto/Tungsten/ Fluorescent/ Daylight/Shadow/Manual
Gain Control	0-100%
Wide Dynamic Range	130 dB
Noise Reduction	3D DNR
Lens	5-50mm, DC Iris, F1.9, MFZ
Electronic Image Stabilization	Supported
Angle Of View	H:45.92°-6.96°, V:33.96°-5.25°
Privacy Masking	Off / On (4 Areas)
Defog	Supported
Local Storage	Micro SD (up to 256 GB)
Alarm Inputs/Outputs	1 In / 2 Out
Pan Range	0°-360°
Tilt Range	0° ~ 90°
Rotation Range	0°-360°
VIDEO	
Video Compression	H.265 HEVC/H.264/MJPEG, Smart Codec
Resolution	1st: 2592x1944/2592x1520/1920x1080/1280x720 @ 25/30fps (1080P MAX 60fps when WDR off) 2nd: 1920x1080/1280x720/704*576(PAL)/704*480(NTSC) 3rd: 640*480/352*288(PAL)/352*240(NTSC) @ 25/30fps 4th: 640*480/352*288(PAL)/352*240(NTSC)/320*240 @ 25/30fps
Number of Video Streams	3 (2 for encryption)
Frame Rate*	Main Stream: MAX 30 fps Second Stream: MAX 30 fps Third Stream: MAX 30 fps
Bit Rate*	100K-12Mbps
AUDIO	
Audio Compression	G.711
Audio Stream	2-Way, Full duplex
Audio Interface	Line In/Out, Built-in Mic

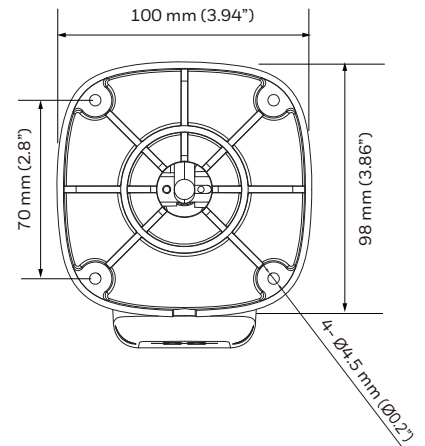
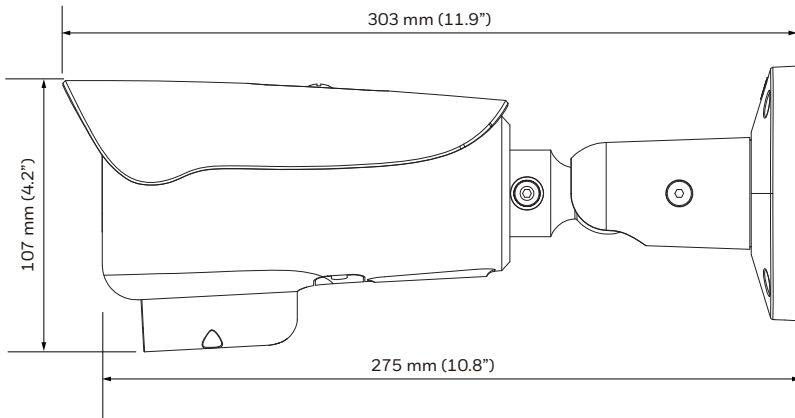
NETWORK	
Ethernet	10 Base-T/100 Base-TX Ethernet (RJ-45)
Supported Web Browsers	Chrome/Edge
Supported OS	Microsoft Windows 10, Microsoft Windows 11
Protocols**	IPv4, IPv6, TCP / IP, HTTP, HTTPS, RTSP / RTP / RTCP, IGMP / Multicast, SMTP, DHCP, NTP, DNS, QoS, SNMP, 802.1X, UDP, ICMP, ARP, TLS
Interoperability	ONVIF Profile G/S/T
Maximum Users Access	10 Users
Security	User account and password protection, HTTPS, IP Filter, Digest authentication, TLS1.2 only, Stream encryption, AES128 / 256, SSH / Telnet closed
Languages Supported	English, French, German, Spanish, Italian, Japanese, Portuguese, Russian, Arabic, Czech, Korean, Dutch, Polish, Turkish
EVENTS	
Video Analytics	Crowd detection, Multi Loitering, Intrusion, Tampering, SMD, Motion Detection
Event Type	Video motion detection, Alarm input, Recording notification, Tampering
Event Linkage	Event notification using digital output, Email and MicroSD card
Region Of Interest	8
ELECTRICAL	
Power Supply	DC12V/AC24V/PoE(802.3af)(Class0)
Power Consumption (Max)	Max 11W
MECHANICAL	
Dimensions	303 mm x 104.9 mm x 114.6 mm (11.9" x 4.13" x 4.51")
Product Weight	1.24 kg (2.73 lb)
Package Weight	1.6 kg (3.53 lb)
Body Material	Aluminum and Plastic
Color	Camera Body: Dark Metal Gray Sunshield: RAL 9003(Signal White) Front/Lens Facings: Pantone Black
ENVIRONMENTAL	
Operating Temperature	Starting Temperature: -40°C ~ 60°C (-40°F ~ 140°F) Working Temperature: -40°C ~ 60°C (IR off)
Relative Humidity	Less than 90 %, non-condensing
Ingress Protection	IP66/IP67
Impact Resistance	IK10
REGULATORY	
Emissions	FCC PART 15, CE (EN 55032), Complies with RCM and UKCA
Immunity	CE(EN 50130-4), Complies with RCM and UKCA
Safety	UL LISTED TO UL/CSA 62368-1, CE(EN 62368-1), , Complies with RCM and UKCA
RoHS	CE(EN 63000),UAE(Cabinet Decree No.10 of 2017)
Country of Origin	Vietnam, India

*For detailed information about frame rate and bit rate, please refer to the User Guide.

** Some development may be required in specific user cases to support some of these protocols in the field as they mature over time.

35 SERIES 5MP IP WDR IR BULLET CAMERA

DIMENSIONS



ORDERING

HC35WB5R5

WDR 5 MP IR MFZ Bullet Camera, 5-50mm, POE, IP66/67, IK10, DC12V/AC24V, Audio&Alarm In/Out

For more information

www.honeywellbuildings.in

Tel: 000-8000-502167

Email: HBT-Indiabuildings@honeywell.com

Honeywell HBT India Buildings

Unitech Trade Center, 5th Floor, Sector-43,
Block C, Sushant Lok Phase - I,
Gurgaon - 122 002.



HEVC^{Advance™}

ONVIF and the ONVIF logo are trademarks of ONVIF Inc.
HEVC Advance logo is a trademark of HEVC Advance
Honeywell reserves the right, without notification, to
make changes in product design or specifications.

HSV-HC35WB5R5-01-IN(1022)DS-Y
© 2022 Honeywell International Inc.

Honeywell