

# I-HIP2PI-S33X

## 2MP 33x Starlight IR PTZ Camera

The new Impact IP series of PTZ cameras provide high-quality yet affordable surveillance for small and medium businesses which require long range indoor/outdoor cameras. The IP IR PTZ cameras address the needs of all kinds of customer applications with high resolution, pan, tilt, and zoom functions. The cameras come with various variants IR LEDs to provide best-in-class, effective and efficient surveillance even during the night. The cameras are IP67 rated which makes them resilient for any outdoor applications as well.



### FEATURES AND BENEFITS

- Up to 1920X1080 @30fps
- Min. illumination Color: 0.001Lux @F1.5
- Optical zoom: 33x, digital zoom 16x
- Smart IR Range Up to 150M
- IH+265/H.265/H.264/M-JPEG
- Intelligent monitoring/ Face Capture mode
- Plugin Free
- IP67

### SPECIFICATIONS

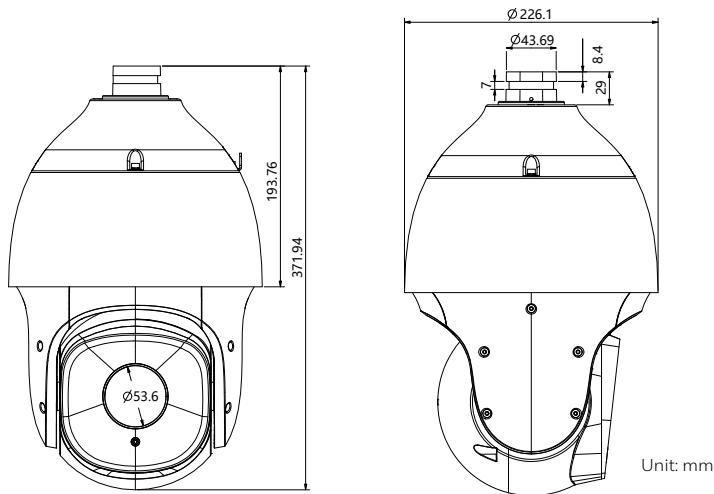
MATERIAL SPECIFICATIONS	
<b>CAMERA</b>	
Image Sensor	1/2.8" CMOS
Signal System	PAL/NTSC
Min. Illumination	Color: 0.001lux@ (F1.5, ACG ON), BW: 0lux with IR
Shutter Time	1s to 1/100,000s
Day & Night	Dual IR Cut Filter with Auto Switch
Wide Dynamic Range	140dB
Optical Zoom	33x
Digital Zoom	16x
<b>LENS</b>	
Focal Length	4.8mm~120mm
Zoom Speed	<4s
Angle of View	Horizontal: 60.0° (w)~2.3° (t) Vertical: 34.4° (w)~1.5° (t)
Aperture Range	F1.5~F4.0
<b>PAN&amp;TILT</b>	
Pan Range	360°
Pan Speed	Pan Manual Speed: 0.1°~180°/s, Pan Preset Speed: 240°/s
Tilt Range	-16°~90° (Auto flip)
Tilt Speed	Tilt Manual Speed: 0.1°~120°/s, Tilt Preset Speed: 180°/s
3D Position	Yes

Presets	500
Preset Accuracy	±0.4°
Scan	8
Cruise	16, up to 32 presets per cruise
Pattern	8, each with 600s memory or 1000 orders
Power-off Memory	Yes
<b>ILLUMINATOR</b>	
IR LEDs	6
IR Range	Up to 150m
IR Irradiation Angle	Adjustable by Zoom
<b>COMPRESSION STANDARD</b>	
Video Compression	IH+265/H.265/H.264/M-JPEG
Video Bit Rate	32Kbps~16Mbps
Audio Compression	G.711A/G.711U/ADPCM_D/AAC_LC
Audio Bit Rate	8K~48Kbps
<b>IMAGE</b>	
Max. Resolution	2.0MP (1920×1080)
Main Stream	PAL: 25fps (1920×1080, 1280×720, 704×576, 640×480) NTSC: 30fps (1920×1080, 1280×720, 704×480, 640×480)
Sub Stream	PAL: 25fps (704×576, 704×288, 640×360, 352×288) NTSC: 30fps (704×480, 704×240, 640×360, 352×240)
Third Stream	PAL: 25fps(704×576, 704×288, 352×288) NTSC: 30fps (704×480, 704×240, 352×240)
Image Setting	Saturation, brightness, contrast, sharpness, adjustable by client software or web browser
Image Enhancement	BLC/3D DNR/HLC
ROI	7 Dynamic Areas for Both Main and Sub Stream
OSD	16x16, 32x32, 48x48, 64x64, adaptable size, Letters Such as Week, Date, Time, Total 3 Regions
Picture Overlay	Yes
Privacy Mask	Yes
Smart Defog	Yes
<b>FEATURE</b>	
Alarm Trigger	Harsh Voice Alarm, Motion Detection, Mask Alarm, Port Alarm, Network Disable Alarm, IP Conflict, MAC Conflict Detection
Video Analytics	Tripwire, Double Tripwire, Perimeter, Object Abandon, Object Lost, Loitering, Running, Heatmap, On Duty Detection, Video Abnormal, Audio Abnormal
<b>FACE DETECTION AND ANALYTICS</b>	
Operating Mode	Face capture, intelligent monitoring optional, default intelligent monitoring
Face Detection Performance	Detects up to 16 faces at the same scene
Face Exposure Brightness	Default 35, 1~100 brightness optional
Min. Face Pixel	Min. Face Pixel
Precautionary Alert	Three level
<b>NETWORK</b>	
Protocols	TCP/IP, ICMP, HTTP, HTTPS, FTP, DHCP, DNS, DDNS, RTSP, PPPoE, NTP, UPnP, SMTP, IGMP, QoS, IPV4, MULTICAST, RTMP
System Compatibility	ONVIF (PROFILE S/T/G)
ANR	Auto store video in SD card when NVR disconnected, and upload video to NVR when resumed connection (Only Support Impact Series ANR Support NVR)
Remote Connection	≤7
Client	IH-View
Web Version	Web6

INTERFACE	
Communication Interface	1 RJ45 10M/100M self adaptive Ethernet port
Audio	1/1
Alarm	1/1
Reset Button	Yes
On-board storage	Built-in MicroSD card slot, up to 256 GB
GENERAL	
Web Client Language	English
Operating Conditions	-40°C~70°C (IR OFF), -40°C~40°C (IR ON), 0-95%RH
Power Supply	DC12V±10%/POE
Power Consumption	11W(IR OFF), 19.63W(IR ON)
Protection	IP67, Lightning protection, surge protection and voltage transient protection
Dimensions	222x372mm (8.74x14.65inch)
Weight	2.9kg(6.39lb)

\* Listed resolutions are only selectable options. It does not mean that all streams can work at their maximum resolution at the same time.

## DIMENSIONS



## INCLUDED



Wall Mount

### For more information,

[www.honeywellbuildings.in](http://www.honeywellbuildings.in)  
 Call: 000-8000-502167  
 Email: [enquiry.mms@honeywell.com](mailto:enquiry.mms@honeywell.com)

### Honeywell HBT India Buildings

Unitech Trade Center, 5th Floor, Sector-43,  
 Block C, Sushant Lok Phase - I,  
 Gurgaon - 122 002.

I-HIP2PI-S33X | 01 | 05/21  
 © 2021 Honeywell International Inc.

**IMPACT**  
 by Honeywell