

I-HIE2PI-L

2MP Fixed IR Dome Camera

The new Impact IP series of cameras provide high-quality yet affordable surveillance for small and medium businesses which include small retail shops, gyms, schools, residential homes, etc. The new series includes high resolution IP IR cameras, in both eyeball dome and bullet configurations, and comes with fixed and variable lens options. The new Impact IP series caters to all kinds of customer applications. The cameras come with various variants of IR LEDs to provide best-in-class, effective and efficient surveillance even during the night. The cameras are IP67 rated which makes them resilient for any outdoor applications as well.



FEATURES AND BENEFITS

- Default: Metal+Plastic
- Up to 1920x1080 @30fps
- IH+265/H.265/H.264
- Min. illumination Color: 0.02Lux@F2.0
- Smart IR, IR Range: Up to 30M
- Support tripwire and perimeter
- Built-in Mic, SD Card Slot, Reset Button
- Operating Conditions -35°~65°, 0~95% RH
- POE, IP67

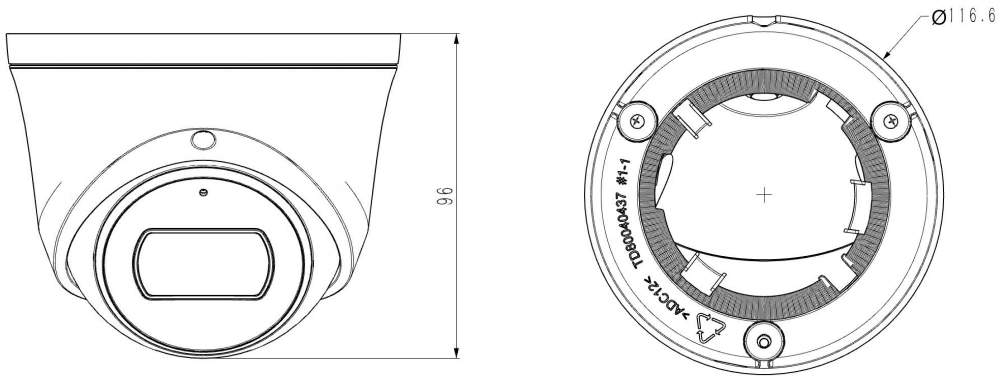
SPECIFICATIONS

MATERIAL SPECIFICATIONS	
CAMERA	
Image Sensor	1/2.9" CMOS
Signal System	PAL/NTSC
Min. Illumination	Color: 0.02Lux@ (F2.0, ACG ON), B/W: 0Lux with IR
Shutter Time	1s to 1/100,000s
Day & Night	Dual IR Cut Filter with Auto Switch
Wide Dynamic Range	120dB
Angle Adjustment	Bracket, pan: 0° to 360°, tilt: 0° to 75°, rotate: 0° to 360°
LENS	
Lens Type	Fixed
Focus	2.8mm
Lens Mount	M12
Aperture	F2.0, Fixed
FOV	Horizontal field of view: 97.4°
ILLUMINATOR	
IR LEDs	1
IR Range	Up to 30m
Wavelength	850nm

COMPRESSION STANDARD	
Video Compression	IH+265/H.265/H.264
Video Bit Rate	32Kbps~6Mbps
Audio Compression	G.711/G.711U/ADPCM
Audio Bit Rate	8K~48Kbps
IMAGE	
Max. Resolution	1920x1080
Main Stream	PAL: 25fps (1920x1080, 1280x720, 704x576, 640x480) NTSC: 30fps (1920x1080, 1280x720, 704x480, 640x480)
Sub Stream	PAL: 25fps (704x576, 704x288, 640x360, 352x288) NTSC: 30fps (704x480, 704x240, 640x360, 352x240)
Image Setting	Saturation, brightness, contrast, sharpness, adjustable by client software or web browser
Image Enhancement	BLC/3D DNR/HLC
OSD	16x16, 32x32, 48x48, adaptable size, Letters Such as Week, Date, Time, Total 3 Regions
Privacy Mask	Yes, 4 regions
Smart Defog	Yes
FEATURE	
Alarm Trigger	Motion Detection, Mask Alarm, IP Address Conflict
Video Analytics	Tripwire, Perimeter
NETWORK	
Protocols	TCP/IP, HTTP, FTP, DHCP, DNS, DDNS, MULTICAST, IPV4, NTP, UDP, Telnet
System Compatibility	ONVIF (PROFILE S/T/G), SDK
Remote Connection	≤7
Client	IH-VIEW
Web Version	Web5
INTERFACE	
Communication Interface	1 RJ45 10M/ 100M self adaptive Ethernet port
Audio I/O	Mic in
Reset Button	Yes
On-board storage	Built-in Micro SD card slot, up to 512 GB
GENERAL	
Web Client Language	English
Operating Conditions	-30°C~60°C, 0~95% RH
Power Supply	DC 12V±25%, PoE (802.3af)
Power Consumption	MAX: 6W(12V) MAX: 7W(POE)
Protection	IP67, Lightning protection, surge protection
Dimensions	116.6x83.7mm (4.59x3.30inch)
Weight	Metal+Plastic: 0.34Kg (0.75lb)

* Listed resolutions are only selectable options. It does not mean that all streams can work at their maximum resolution at the same time.

DIMENSIONS



For more information,

www.honeywellbuildings.in

Call: 000-8000-502167

Email: enquiry.mms@honeywell.com

Honeywell HBT India Buildings

Unitech Trade Center, 5th Floor, Sector-43,

Block C, Sushant Lok Phase - I,

Gurgaon - 122 002.

I-HIE2PI-L | 01 | 09/21
© 2021 Honeywell International Inc.

IMPACT
by Honeywell