

I-HIE2PI-LC

2MP Fixed Color Vision Dome Camera



I-HIE2PI-LC

FEATURES AND BENEFITS

- Housing type: Metal+Plastic
- Up to 1920x1080@30fps
- IH+265/H.265/H.264
- Min. illumination Color: 0.0008Lux@F1.6
- 2 Warm lights, Up to 20M
- Support tripwire and perimeter
- Built-in Mic, SD Card Slot, Reset Button
- Operating Conditions -40°C~60°C, 0~95% RH
- POE, IP66

SPECIFICATIONS

MATERIAL SPECIFICATIONS

CAMERA

Image Sensor	1/2.8" CMOS
Signal System	PAL/NTSC
Min. Illumination	Color: 0.0008Lux@ (F1.6, ACG ON), 0Lux with LED on
Shutter Time	1s to 1/100,000s
Day & Night	Dual IR Cut Filter with Auto Switch
Wide Dynamic Range	120dB
Angle Adjustment	Bracket, pan 0~360°, tilt 0~75°, rotate 0~360°

LENS

Lens Type	Fixed
Focus	2.8mm
Lens Mount	M12
Aperture	F1.6, Fixed
FOV	Horizontal field of view: 99.7°

ILLUMINATOR

White LEDs/Warmlights	2
-----------------------	---

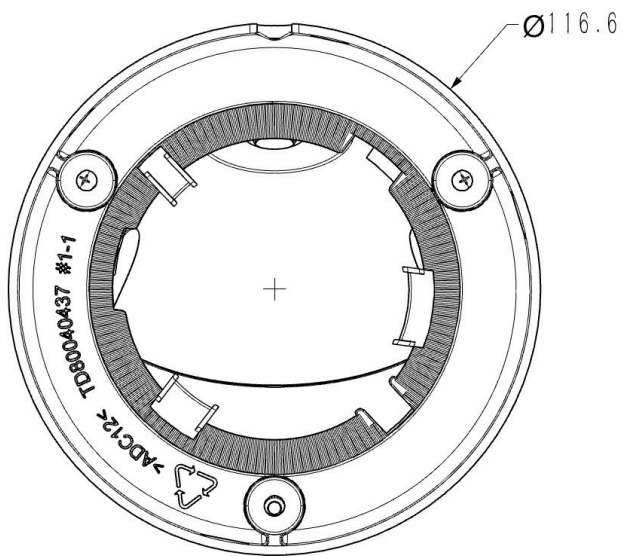
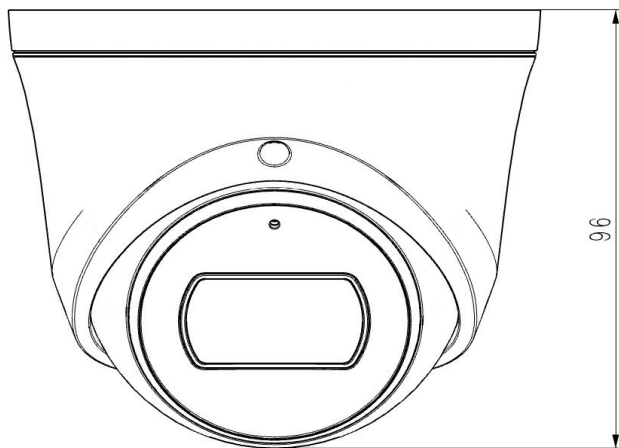
COMPRESSION STANDARD

Video Compression	IH+265/H.265/H.264
Video Bit Rate	32Kbps-6Mbps
Audio Compression	G.711A/G.711U/ADPCM_D
Audio Bit Rate	8K-48Kbps

IMAGE	
Max. Resolution	1920x1080
Main Stream	PAL: 25fps (1920x1080, 1280x720, 704x576, 640x480) NTSC: 30fps (1920x1080, 1280x720, 704x480, 640x480)
Sub Stream	PAL: 25fps (704x576, 704x288, 640x360, 352x288) NTSC: 30fps (704x480, 704x240, 640x360, 352x240)
Image Setting	Saturation, brightness, contrast, sharpness, adjustable by client software or web browser
Image Enhancement	BLC/3D DNR/HLC
OSD	16x16, 32x32, 48x48, adaptable size, Letters Such as Week, Date, Time, Total 3 Regions
Privacy Mask	Yes, 4 regions
Smart Defog	Yes
FEATURE	
Alarm Trigger	Motion Detection, Mask Alarm, IP Address Conflict
Video Analytics	Tripwire, Perimeter
NETWORK	
Protocols	TCP/IP, HTTP, FTP, DHCP, DNS, DDNS, MULTICAST, IPV4, NTP, UDP, Telnet, ICMP, RTP, RTSP, UPnP
System Compatibility	ONVIF PROFILE (S/T/G) SDK
Remote Connection	≤7
Client	IH-VIEW
Web Version	Web6
INTERFACE	
Communication Interface	1 RJ45 10M/ 100M self adaptive Ethernet port
Audio I/O	Mic in
Reset Button	Yes
On-board storage	Built-in MicroSD card slot, up to 512 GB
GENERAL	
Operating Conditions	-40°C~60°C, 0~95% RH
Power Supply	DC 12V±25%, PoE (802.3af)
Power Consumption	MAX: 6W (12V) MAX: 8W (PoE)
Protection	IP66, Lightning protection, surge protection and voltage transient protection
Dimensions	116.6×83.7 mm (4.59×3.30inch)
Weight	Weight Metal+Plastic: 0.33Kg (0.73lb)

* Listed resolutions are only selectable options. It does not mean that all streams can work at their maximum resolution at the same time.

DIMENSIONS (UNIT: MM)



For more information,

www.honeywellbuildings.in

Call: 000-8000-502167

Email: enquiry.mms@honeywell.com

Honeywell HBT India Buildings

Unitech Trade Center, 5th Floor, Sector-43,

Block C, Sushant Lok Phase - I,

Gurgaon - 122 002.

www.honeywell.com

I-HIE2PI-LC | 01 | 12/21
© 2021 Honeywell International Inc.

IMPACT
by Honeywell