

# I-HID2PI-V

## 2MP Motorized IR Vandal Dome Camera

### FEATURES AND BENEFITS

- Full Metal Housing
- Motorized Lens 2.8-12mm
- Up to 1920x1080@30fps
- Smart IR, IR Range: up to 30M
- Support tripwire and perimeter
- IH+265/H.265/H.264
- Min. illumination Color: 0.02Lux@ F1.6
- Built-in Mic, SD Card Slot, Reset Button
- Operating Conditions -35°C~65°C, 0~95% RH
- POE, IP67, IK10



I-HID2PI-V

### SPECIFICATIONS

#### MATERIAL SPECIFICATIONS

##### CAMERA

Image Sensor	1/2.9" CMOS
Signal System	PAL/NTSC
Min. Illumination	Color: 0.02Lux@ (F1.6, ACG ON), B/W: 0Lux with IR
Shutter Time	1s to 1/100,000s
Day & Night	Dual IR Cut Filter with Auto Switch
Wide Dynamic Range	120dB
Angle Adjustment	pan 0~330°, tilt 0~75°, rotate 0~350°

##### LENS

Lens Type	Motorized
Focus	2.8-12mm
Lens Mount	ø14
Aperture	F1.6~F3.3, Fixed
FOV	Horizontal field of view: 98°~28°

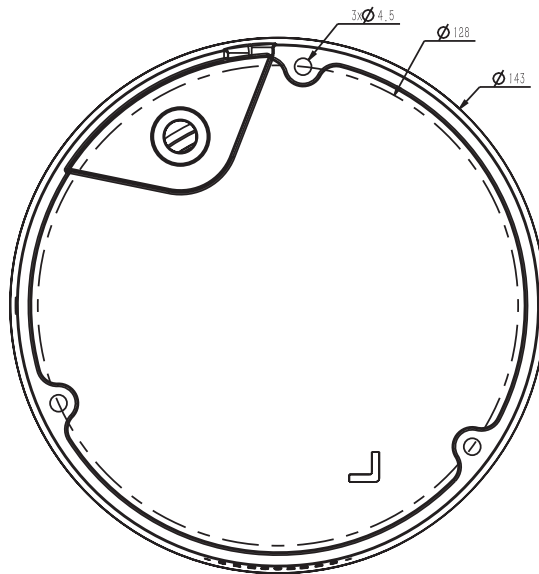
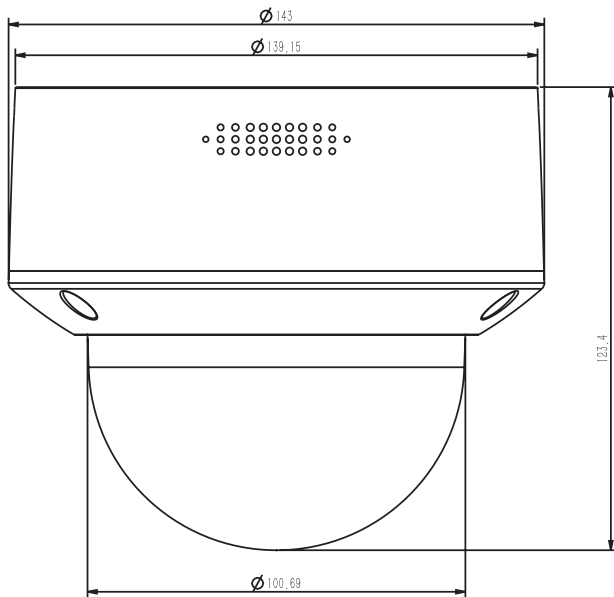
##### ILLUMINATOR

IR LEDs	18
IR Range	Up to 30m
Wavelength	850nm

<b>COMPRESSION STANDARD</b>	
Video Compression	IH+265/H.265/H.264
Video Bit Rate	32Kbps~6Mbps
Audio Compression	G.711/G.711U/ADPCM
Audio Bit Rate	8K~48Kbps
<b>IMAGE</b>	
Max. Resolution	1920x1080
Main Stream	PAL: 25fps (1920x1080, 1280x720, 704x576, 640x480) NTSC: 30fps (1920x1080, 1280x720, 704x480, 640x480)
Sub Stream	PAL: 25fps (704x576, 704x288, 640x360, 352x288) NTSC: 30fps (704x480, 704x240, 640x360, 352x240)
Image Setting	Saturation, brightness, contrast, sharpness, adjustable by client software or web browser
Image Enhancement	BLC/3D DNR/HLC
OSD	16x16, 32x32, 48x48, adaptable size, Letters Such as Week, Date, Time, Total 3 Regions
Privacy Mask	Yes, 4 regions
Smart Defog	Yes
<b>FEATURE</b>	
Alarm Trigger	Motion Detection, Mask Alarm, IP Address Conflict
Video Analytics	Tripwire, Perimeter
<b>NETWORK</b>	
Protocols	TCP/IP, HTTP, FTP, DHCP, DNS, DDNS, MULTICAST, IPV4, NTP, UDP, Telnet
System Compatibility	ONVIF PROFILE (S/T/G) SDK, CGI (IE)
Remote Connection	≤7
Client	IH-VIEW
Web Version	Web5
<b>INTERFACE</b>	
Communication Interface	1 RJ45 10M/ 100M self adaptive Ethernet port
Audio I/O	Mic in
Reset Button	Yes
On-board storage	Built-in MicroSD card slot, up to 512 GB
<b>GENERAL</b>	
Operating Conditions	-35°C~65°C, 0~95% RH
Power Supply	DC 12V±25%, PoE (802.3af)
Power Consumption	MAX:7.5W (12V) MAX: 9W (PoE)
Protection	IP67, Lightning protection, surge protection and voltage transient protection
Dimensions	143X124mm ( 5.63X4.88inch)
Weight	0.86Kg (1.90lb)

\* Listed resolutions are only selectable options. It does not mean that all streams can work at their maximum resolution at the same time.

## DIMENSIONS (UNIT: MM)



### For more information,

[www.honeywellbuildings.in](http://www.honeywellbuildings.in)

Call: 000-8000-502167

Email: [enquiry.mms@honeywell.com](mailto:enquiry.mms@honeywell.com)

### Honeywell HBT India Buildings

Unitech Trade Center, 5th Floor, Sector-43,

Block C, Sushant Lok Phase - I,

Gurgaon - 122 002.

[www.honeywell.com](http://www.honeywell.com)

I-HID2PI-VI 01 | 12/21  
© 2021 Honeywell International Inc.

**IMPACT**  
by Honeywell