

# I-HIB4PI-LC

## 4MP Fixed Color Vision Bullet Camera



### FEATURES AND BENEFITS

- Housing type: Metal+Plastic
- Up to 2592x1520@25fps
- IH+265/H.265/H.264
- Min. illumination Color: 0.0008Lux@ F1.0
- 120dB WDR
- 2 Warm lights, up to 20M
- Support tripwire and perimeter
- Built-in Mic, SD Card Slot, Reset Button
- Operating Conditions -40°C~60°C, 0~95% RH
- POE, IP67

I-HIB4PI-LC

### SPECIFICATIONS

#### MATERIAL SPECIFICATIONS

##### CAMERA

Image Sensor	1/2.8" CMOS
Signal System	PAL/NTSC
Min. Illumination	Color: 0.0008Lux@ (F1.0, ACG ON), 0Lux with LED on
Shutter Time	1s to 1/100,000s
Wide Dynamic Range	120dB
Angle Adjustment	Bracket, pan 0~360°, tilt 0~75°, rotate 0~360°

##### LENS

Lens Type	Fixed
Focus	4mm
Lens Mount	M12
Aperture	F1.0, Fixed
FOV	Horizontal field of view: 78° (4mm)

##### ILLUMINATOR

White LEDs/Warmlights	2
-----------------------	---

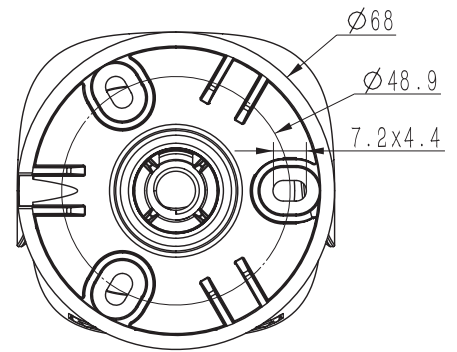
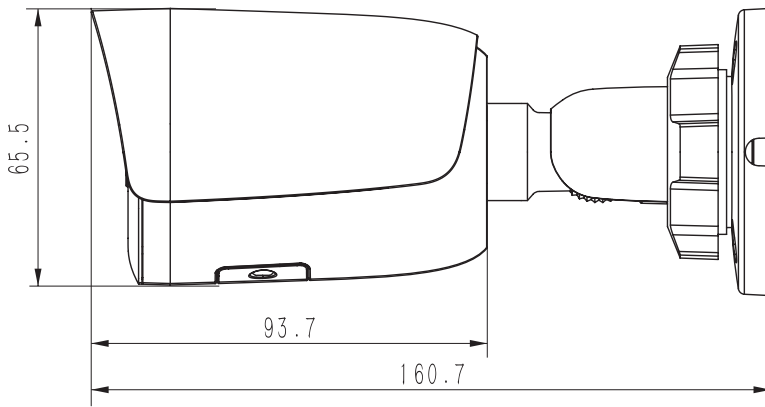
##### COMPRESSION STANDARD

Video Compression	IH+265/H.265/H.264
Video Bit Rate	32Kbps~6Mbps
Audio Compression	G.711A/G.711U/ADPCM_D
Audio Bit Rate	8K~48Kbps

<b>IMAGE</b>	
Max. Resolution	2592x1520
Main Stream	PAL: 25fps (2592x1520, 2560x1440, 2304x1296, 1920x1080, 1280x720) NTSC: 25fps (2592x1520, 2560x1440), 30fps (2304x1296, 1920x1080, 1280x720)
Sub Stream	PAL: 25fps (704x576, 704x288, 640x360, 352x288) NTSC: 30fps (704x480, 704x240, 640x360, 352x240)
Image Setting	Saturation, brightness, contrast, sharpness, adjustable by client software or web browser
Image Enhancement	BLC/3D DNR/HLC
OSD	16x16, 32x32, 48x48, 64x64 adaptable size, Letters Such as Week, Date, Time, Total 3 Regions
Privacy Mask	Yes, 4 regions
Smart Defog	Yes
<b>FEATURE</b>	
Alarm Trigger	Motion Detection, Mask Alarm, IP Address Conflict
Video Analytics	Tripwire, Perimeter
<b>NETWORK</b>	
Protocols	TCP/IP, HTTP, FTP, DHCP, DNS, DDNS, MULTICAST, IPV4, NTP, UDP, Telnet, ICMP, RTP, RTSP, UPnP
System Compatibility	ONVIF PROFILE (S/T/G) SDK, CGI (IE)
Remote Connection	≤7
Client	IH-VIEW
Web Version	Web6
<b>INTERFACE</b>	
Communication Interface	1 RJ45 10M/ 100M self adaptive Ethernet port
Audio I/O	Mic in
Reset Button	Yes
On-board storage	Built-in MicroSD card slot, up to 512 GB
<b>GENERAL</b>	
Operating Conditions	-40°C~60°C, 0~95% RH
Power Supply	DC 12V±25%, PoE (802.3af)
Power Consumption	MAX: 6W (12V) MAX: 8W (PoE)
Protection	IP67, Lightning protection, surge protection and voltage transient protection
Dimensions	160.8×68×74.5mm (6.33×2.68×2.93inch)
Weight	Weight Metal+Plastic: 0.3Kg (0.66lb)

\* Listed resolutions are only selectable options. It does not mean that all streams can work at their maximum resolution at the same time.

## DIMENSIONS (UNIT: MM)



### For more information,

[www.honeywellbuildings.in](http://www.honeywellbuildings.in)

Call: 000-8000-502167

Email: [enquiry.mms@honeywell.com](mailto:enquiry.mms@honeywell.com)

### Honeywell HBT India Buildings

Unitech Trade Center, 5th Floor, Sector-43,

Block C, Sushant Lok Phase - I,

Gurgaon - 122 002.

[www.honeywell.com](http://www.honeywell.com)

I-HIB4PI-LC | 01 | 12/21  
© 2021 Honeywell International Inc.

**IMPACT**  
by Honeywell