

I-HABC-5005PI

I-HABC-5005PIV

5MP AHD IR Bullet Camera



I-HABC-5005PI



I-HABC-5005PIV

FEATURES AND BENEFITS



- 5MP High resolution



- CMOS progressive scan



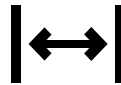
- True day/night capability



- TDN, AWB, AGC, Defog



- 3.6mm & 2.8-12mm lens



- IR distance: upto 40 meters



- Power: 12VDC



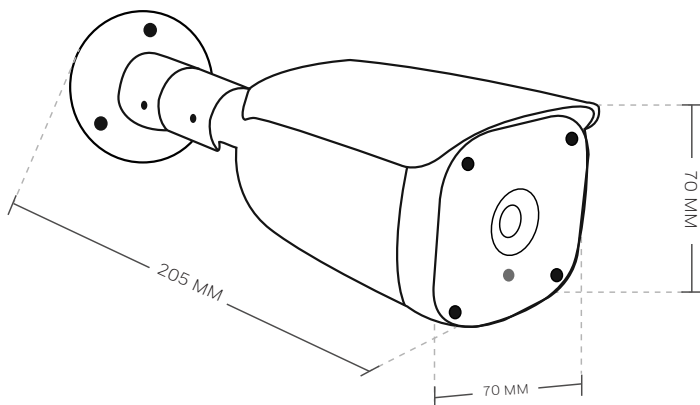
- 4 in 1, AHD,TVI,CVI, CVBS output

SPECIFICATIONS

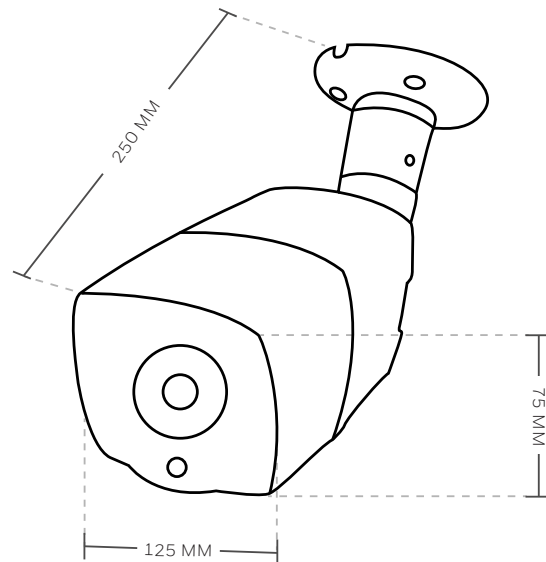
SPECIFICATIONS		
CAMERA	I-HABC-5005PI	I-HABC-5005PIV
Signal System	PAL @ 25FPS	
Image Sensor	1/2.7" Progressive Scan Digital Image Sensor	
Effective Pixel	2560(H) X 1920(V)	
Horizontal Resolution	5MP@25FPS, 1080P@25FPS, 720P@25FPS	
IR	IR Distance up to 25M	IR Distance up to 40M
Lens Furnished	3.6mm	2.8-12mm VF
Lens Interface	M12	
Signal/Noise Ratio	More than 80dB	
Shutter Control	1/25 sec to 1/1,00,000 sec	
Min Illumination	0.001Lux @ (F1.2,AGC ON), 0 Lux (IR LED ON)	
Synchronisation	Internal	
White Balance	Auto	
Back Light Compensation	Auto	
Gain Control	Auto	
Video Output Signal	Switchable video signal: HD-TVI/AHD/HD-CVI/CVBS	
Transmission Distance	Up to 500m over coaxial cable*	
Operating Conditions	-10°C ~ +60°C, Humidity 90% or less (non-condensing)	
Power Supply	DC 12V ± 10%	
Current, Power Consumption	250mA, Max 3.5W	400mA, 5W
Dimension (Lxwxh), Weight	200mm x 118mm x 80mm, 300g	265mm x 185mm x 140mm, 1.7kg
Housing	Metal	
Safety	IP66 Compliance	

Note: Honeywell reserves the right, without notification, to make changes in product design and/or specifications.

DIMENSIONS



I-HABC-5005PI



I-HABC-5005PIV

For more information,

www.honeywellbuildings.in
 Call: 000-8000-502167
 Email: enquiry.mms@honeywell.com

Honeywell HBT India Buildings

Unitech Trade Center, 5th Floor, Sector-43,
 Block C, Sushant Lok Phase - I,
 Gurgaon - 122 002.

I-HABC-5005PI
 I-HABC-5005PIV | 01 | 09/21
 © 2021 Honeywell International Inc.

IMPACT
 by Honeywell