

# I-HABC-2305PIV

## 1080p AHD IR Bullet Camera

Featuring the advanced Analog High Definition (AHD) video technology, I-HABC-2305PIV is a HD analog camera which provides 1080P (1920 x 1080) sharp, high definition images. The AHD technology ensures real-time and non compressed signal transmission via coaxial cable, which significantly reduces installation cost and provides much sharper Images without video quality loss.



I-HABC-2305PIV

## MARKET OPPORTUNITIES

The I-HABC-2305PIV cameras are cost effective surveillance solutions suitable for both indoor and outdoor applications, including schools, colleges, hotels, hospitals, commercial sites, retail stores, warehouses, banks and so on. Featuring 2.8-12MM VF Built in Lens, 1080P resolution, TDN function and IR night vision. It is also ideal for easy and cost-effective upgrade of existing analog system to high definition surveillance.

## FEATURES AND BENEFITS



- 1080P real time high resolution



- CMOS progressive scan



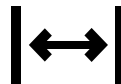
- True day/night capability



- TDN (IR-cut), AWB, AGC, Defog



- 2.8-12MM lens



- IR distance: upto 40 meters



- Power: 12VDC



- 4 in 1, AHD,TVI,CVI, CVBS output



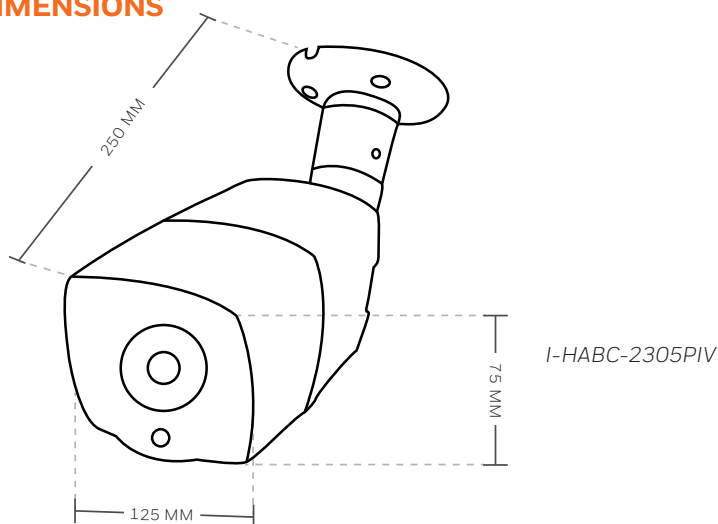
- Minimum illumination: 0 Lux (IR ON)

# SPECIFICATIONS

SPECIFICATIONS	
CAMERA	I-HABC-2305PIV
Signal System	PAL @25FPS
Image Sensor	1/2.9" 2MP Hi-Resolution Image Sensor
Effective Pixel	1920(H)x1080(V)
Horizontal Resolution	1080P
IR	IR Distance Up to 40M
Lens Furnished	2.8-12mm VF lens
Lens Interface	M12
Signal/Noise Ratio	More than 60dB
Shutter Control	1/50 sec to 1/10,000 sec
Min Illumination	0.001Lux @ (F1.2,AGC ON), 0 Lux (IR LED On)
Synchronisation	Internal
White Balance	Auto
Back Light Compensation	Auto
Gain Control	Auto
Video Output Signal	Switchable video signal: HD-TVI/AHD/HD-CVI/CVBS
Audio	NA
Operating Conditions	-10°C ~ +60°C, Humidity 90% or less (non-condensing)
Power Supply	DC 12V ± 10%
Current , Power Consumption	400mA , 5W
Dimension (Lxwxh) , Weight	250mm x125mm x75mm, 650 g
Housing	Metal
Safety	IP66 Compliance
Transmission Distance	Up to 500m over coaxial cable*

Note: Honeywell reserves the right, without notification, to make changes in product design and/or specifications.

## DIMENSIONS



### For more information,

[www.honeywellbuildings.in](http://www.honeywellbuildings.in)

Call: 000-8000-502167

Email: [enquiry.mms@honeywell.com](mailto:enquiry.mms@honeywell.com)

### Honeywell HBT India Buildings

Unitech Trade Center, 5th Floor, Sector-43,

Block C, Sushant Lok Phase - I,

Gurgaon - 122 002.

I-HABC-2305PIV | 01 | 09/21  
© 2021 Honeywell International Inc.

**IMPACT**  
by Honeywell