

# PERFORMANCE PRO SERIES HP2E2



## 2MP Network Bullet IR Camera

### OPERATIONAL

Video Standard	PAL/NTSC
Image Sensor	1/2.8" CMOS
Number Of Pixels (H × V)	1920(H) × 1080(V)
Minimum Illumination	0.0035 lux@F1.2, AGC ON 0 lux with IR ON
S/N Ratio	> 50 dB
Electronic Shutter Speed	1s ~ 1/100,000s
IR Distance	Up to 30 – 50 m, depending on scene reflectance
Day/Night	Auto(ICR)/Day/Night/Timing
Backlight Compensation	BLC, HLC
White Balance	Auto/Indoor/Outdoor/Manual
Wide Dynamic Range	Digital WDR
Noise Reduction	3D DNR
Privacy Masking	Off / On (4 Areas)
Motion Detection	Support
Region Of Interest	Support (3)
Lens	2.8mm~12mm, manual varifocal
Angle Of View	H: 88°~34.8°, V: 57°~20°
Audio	One way, Inbuilt Microphone
VIDEO	
Video Compression	H.265 / H.264
Resolution	1080P(1920×1080), 720P(1280×720), D1(704×576), CIF(352×288), 480×240
Frame Rate	Main stream: 1080P/720P (1~25/30fps) Sub stream: D1/CIF (1~25/30fps) Third stream: D1/CIF/480x240 (1~25/30fps)
Bit Rate Control	CBR / VBR
Bit Rate	64 Kbps ~ 6 Mbps

### NETWORK

Ethernet	10/100 Base-T Ethernet (RJ-45)
Supported Web Browsers	Internet Explorer 11.0+
Supported OS	Microsoft Windows 7/10
Interoperability	ONVIF Profile S, G
Protocols*	IPv4, IPv6, TCP/IP, HTTP, HTTPS, UPnP, RTSP, IGMP, SMTP, DHCP, NTP, DNS, DDNS, QoS, 802.1X, UDP, ICMP, ARP, TLS
Maximum Users Access	3 Users
Security	User account and password protection, HTTPS, IP Filter, TLS1.2, AES-128
Micro SD	Micro SD/SDHC/SDXC card slot (128GB)

### ELECTRICAL

Power Supply	DC12V, PoE (IEEE 802.3af) (Class 3)
Power Consumption	Max 7.5W

### MECHANICAL

Dimensions	ø111.5mm x 99.6mm
Product Weight	0.65kg
Material	Metal housing with coating

### ENVIRONMENTAL

Operating Temperature	-30°C ~ 60°C (-22°F ~ 140°F)
Relative Humidity	Less than 95%, non-condensing
Ingress Protection	IP67

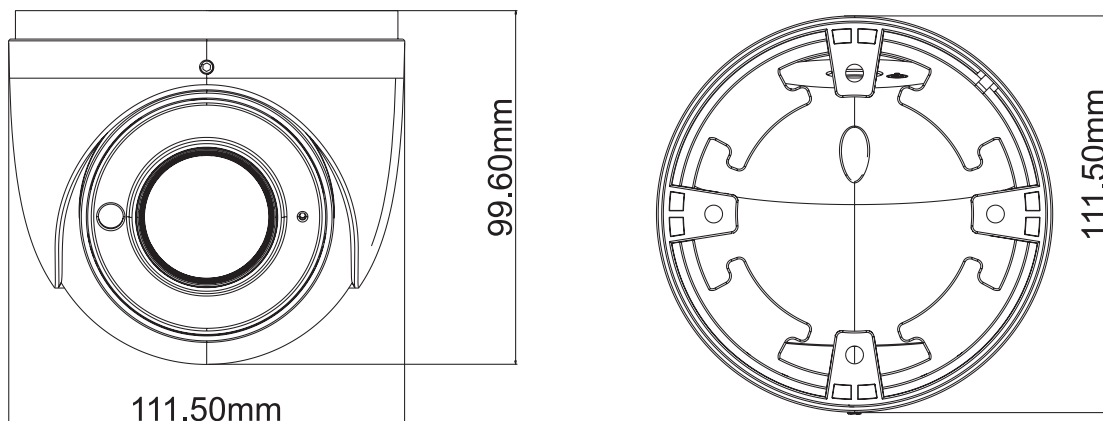
### REGULATORY

Certification	CE, FCC, RoHS
---------------	---------------

\*Some development may be required in specific user cases to support some of these protocols in the field as they mature over time.

# PERFORMANCE PRO SERIES HP2E2

## DIMENSIONS



## ORDERING

PART CODE NO	DESCRIPTION
HP2E2	2MP Network Ball IR Camera, TDN, 1/2.8" CMOS, 2.8mm~12mm manual varifocal, H.265, PoE, IP67

### For more information

[www.honeywellbuildings.in](http://www.honeywellbuildings.in)

Call: 000-8000-502167

Email: [HBT-IndiaBuildings@Honeywell.com](mailto:HBT-IndiaBuildings@Honeywell.com)

### Honeywell HBT India Buildings

Unitech Trade Center, 5th Floor, Sector-43,

Block C, Sushant Lok Phase - I,

Gurgaon - 122 002.

[www.honeywell.com](http://www.honeywell.com)

© 2021 Honeywell International Inc.

**HP2E2**  
**PERFORMANCE**  
**PRO SERIES**

**Honeywell**