

## HON-BIOEM-1000FV/ HON-BIOMI-1000FV

### Multi-biometric Finger Vein and Fingerprint Recognition Technology Based Access Control Reader

HON-BIOEM-1000FV/HON-BIOMI-1000FV is a multi-biometric reader capable of capturing and processing finger vein and fingerprint biometric data at the same time. Ergonomic, intuitive and highly secured, HON-BIOEM-1000FV/HON-BIOMI-1000FV leads us to a new era of enhancing security with biometrics. Its infra-red rays illuminates the vein pattern which is then converted into a biometric template. Both the vein and fingerprint templates are then stored in the database for subsequent matching.



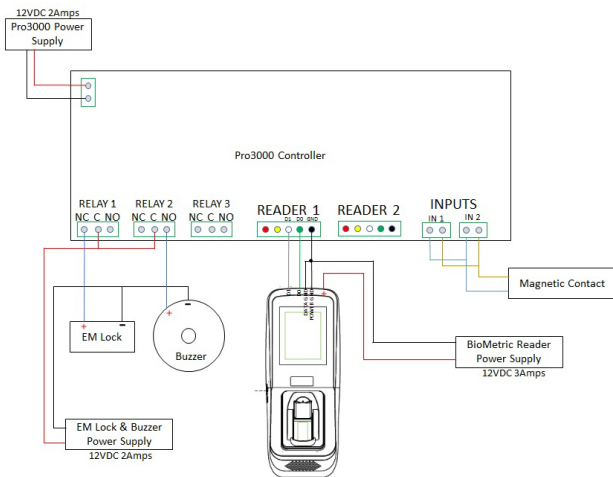
### FEATURES

- Multi-biometric reader with finger vein and fingerprint authentication
- Unsurpassed performance with highly accurate finger vein recognition technology
- Intuitive graphical user interface and touch screen display for rich user experience
- Can store up to 1000 vein and 1000 fingerprints and identify in less than 2 seconds
- Compatible with Honeywell access controller.
- Flexibility to use any of the three credentials i.e. finger vein, fingerprint and password

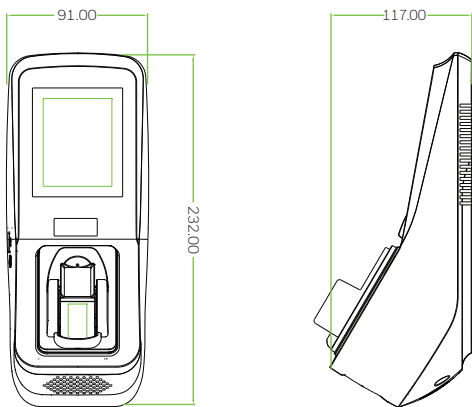
### SPECIFICATIONS:

CPU	1.2GMHz
COMMUNICATION	TCP/IP
VEIN CAPACITY	1,000
FINGERPRINT CAPACITY	1,000
AUTHENTICATION	Finger vein, fingerprint and card (optional)
AUXILIARY TERMINAL	1 Aux. input
WIEGAND	Wiegand out
DISPLAY	2.8-inch capacitive screen
OPERATING VOLTAGE	DC 12V 3A
OPERATING TEMPERATURE	-10°C ~ 45°C
DIMENSIONS	232mm×91mm×117mm(length×width×thickness)
Enrollment Software	EasyAccess3.5

# CONFIGURATION



# DIMENSIONS (MM)



# ORDERING INFORMATION

Part Code	Description
HON-BIOEM-1000FV	Honeywell Bio Secure Finger Vein with EM
HON-BIOMI-1000FV	Honeywell Bio Secure Finger Vein with MI

### For more information

HBT-IndiaBuildings@Honeywell.com

### Honeywell HBT India Buildings

Unitech Trade Centre, 5th Floor, Sector – 43  
 Block C, Sushant Lok Phase – 1  
 Gurgaon – 122002, Haryana, India  
 Tel: +91 124 4975000  
 www.honeywell.com



HDCS DS | Rev01 | 10/17  
 © 2017 Honeywell International Inc.

