

25X ZOOM IR WDR PTZ IP CAMERAS

HDZP252DI

Honeywell's latest HDZ PTZ is part of the growing line of IP-based products. The high definition, True Day/Night WDR PTZ cameras provide extremely crisp video with up to 2 million effective pixels and 25x optical zoom for continuous surveillance in many security applications.

Superior Image Quality

- Full HD 1080p resolution, 50/60 fps image with a 1/2.8" 2 megapixel sensor
- True WDR 120 dB ensures glare-free images
- True Day/Night provides vivid color images by day and clear black-and-white images at night with ICR (Infrared Cut Filter Removal)
- Excellent low-light performance with 3D noise reduction, saving storage and bandwidth together with H.265 codec

Flexible Surveillance Solution

- 4.8–120 mm, F1.6-F4.4, 25x optical zoom lens with 360° continuous rotation for the flexibility to clearly view the target area with desired width and depth
- H.265, H.264 and MJPEG codec, triple stream support
- Six IR LEDs provide up to 328 ft. (100 m) of illumination in dimly lit or nighttime scenes (depending on scene reflectance)
- Water resistant (IP66) camera housing
- -40°F to 158°F (-40°C to 70°C) working temperature
- Built-in Analytics in the camera, such as face detection
- Security features include individual signed certificates and data encryption

Onboard Video Storage

- Supports up to 128 GB microSDHC card for local video storage on events, continuous, or schedule, or with network interruption. Card not included

FEATURES AND BENIFITS

- 4.8–120 mm, F1.6-F4.4, 25x optical zoom lens
- 1/2.8" progressive scan image sensor
- Up to 50/60 fps primary stream. Up to 25/30 fps secondary streams
- Up to triple stream support
- Ultra-low light performance
- 328 ft. (100 m) IR distance, depending on scene reflectance
- True WDR: 120 dB
- Excellent low light performance with down to 0 lux BW (with IRs on)
- Multiple, selectable compression formats (H.265/H.264/MJPEG)
- Wall mount accessory included
- Built-in Analytics, including Face detection
- Automatically restores to previous PTZ and lens position after power failure
- Choice of 12 VDC or PoE+ power inputs
- On board camera storage: up to 128 GB microSD card (not included)
- ONVIF profile S and G compliant
- Water resistant IP66 ingress protection rating



Easy to Install and Use

- Built-in High PoE (Power over Ethernet) eliminates separate power supply and associated wiring; 12 VDC input where PoE power is unavailable
- ONVIF Profile S and G compliant
- Remote configuration, motorized pan, tilt and zoom adjustments and auto focus through web client

Market Opportunities

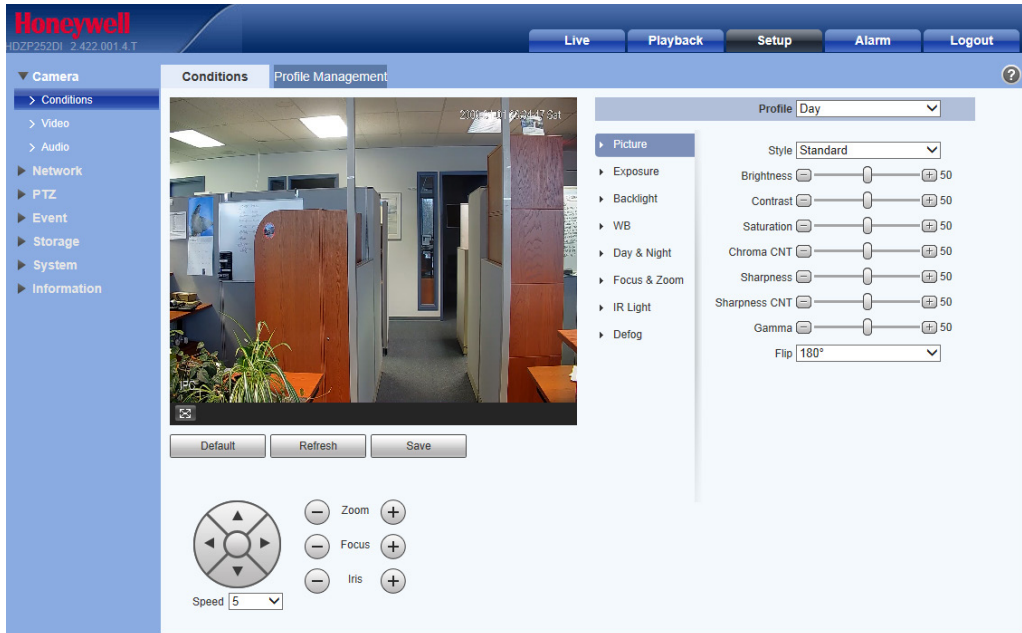
The combination of the latest digital technology and advanced video processing makes HDZ ideally suited for large-scale surveillance in cities, roadways, airports, government facilities, schools and campuses, industrial environments and anywhere detailed surveillance is essential.

Honeywell

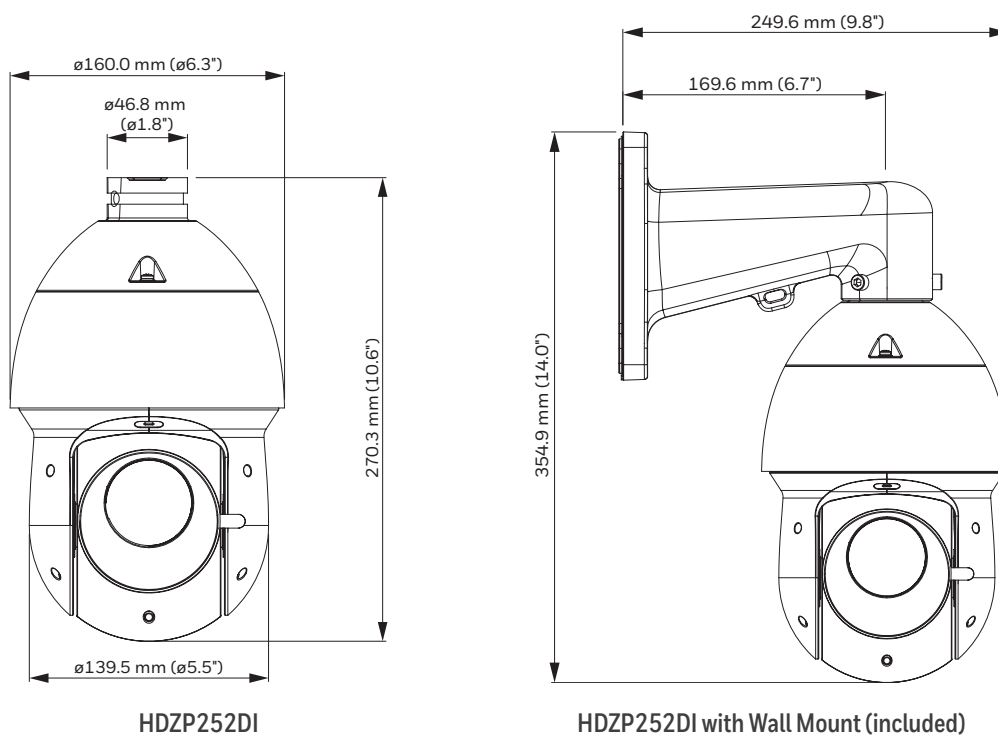
HDZ SERIES – 25X ZOOM IR WDR IP PTZ CAMERAS

FEATURES CONTINUED

The camera can be configured to automatically detect and respond to events such as motion in the scene, alarm inputs, network failure, and/or camera tampering. Automated responses include: sending a notification through email, FTP, and/or HTTP; sending a still image of the event through email and/or FTP; and recording a video clip of the event to a configured microSDHC card. Setup can be done through a web client.



DIMENSIONS



HDZ SERIES – 25X ZOOM IR WDR IP PTZ CAMERAS

Technical Specifications

| CAMERA | |
|--------------------------|--|
| IMAGE SENSOR | 1/2.8" Exmor CMOS |
| OPTICAL ZOOM | 25x |
| DIGITAL ZOOM | 16x |
| NUMBER OF PIXELS (H × V) | 1920 × 1080 (1080p) |
| WDR | 120 dB |
| S/N RATIO | > 50 dB (AGC off) |
| MINIMUM ILLUMINATION | 0.005 lux (color)/0 lux (B/W) @ F1.6 (with IR LEDs on) |
| FOCAL LENGTH | 4.8 mm – 120 mm |
| MAX APERTURE | F1.6 – F4.4 |
| FOCUS MODE | Manual/Auto |
| IR DISTANCE | Up to 328 ft. (100 m), depending on scene reflectance |
| ANGLE OF VIEW | H: 59.2° – 2.4° |
| WHITE BALANCE | Auto/Indoor/Outdoor/ATW/Manual |
| EXPOSURE MODE | Iris Priority/Shutter Priority/Gain Priority/Manual |
| ELECTRONIC SHUTTER | 1/1 to 1/30,000 sec |
| BACKLIGHT COMPENSATION | BLC/HLC/WDR (120 dB) |
| DEFOG | On/Off |
| NOISE REDUCTION | 2D/3D |
| DAY/NIGHT | Auto (ICR)/Color/BW |
| OPERATION | |
| PAN TRAVEL | 360° endless |
| TILT TRAVEL | -15° to 90°, auto flip 180° |
| MANUAL PAN SPEED | Up to 200°/s |
| MANUAL TILT SPEED | Up to 120°/s |
| PRESETS | 300 |
| PRESET SPEED | Pan: Up to 240°/s; Tilt: Up to 200°/s |
| TOURS | 8 |
| AUTO PAN/SCAN | 1 / 1 |
| PATTERN | 5 |
| PRIVACY MASKS | 24 |
| MOTION DETECTION | On/Off |
| IMAGE ROTATION | Flip |
| AUDIO IN/OUT | 1 / 1 |
| ALARM INPUT/OUTPUT | 2 / 1 |
| VIDEO ANALYTICS | Face detection |
| EVENT | Motion Detect; Audio Detect; SD card capacity warning |
| EVENT NOTIFICATION | Record (SD card and FTP), Relay output, Email, Preset, Tour, Pattern, Snapshot |
| LANGUAGES SUPPORTED | English, Japanese |
| ELECTRICAL | |
| POWER SOURCE | 12 VDC ± 25%, 3A PoE+ (802.3at) class 4 |
| POWER CONSUMPTION | 13 W; 20 W max (IR LEDs on) |

| MECHANICAL | |
|------------------------|---|
| DIMENSIONS | Ø160.0 mm × 295.0 mm Ø6.3" × 11.6" |
| PRODUCT WEIGHT | 8.8 lb. (4.0 kg) |
| CONNECTORS | Power input: Bare wire with connectors Network: RJ45 connector Alarm I/O: Twisted wire (2 in/1 out) Audio I/O: Twisted wire (1 in/1 out) |
| CONSTRUCTION MATERIAL | Aluminum |
| CONSTRUCTION COLOR | White (RAL CODE 9003) |
| ENVIRONMENTAL | |
| OPERATING TEMPERATURE | -40°C to 70°C (-40°F to 158°F) |
| RELATIVE HUMIDITY | Less than 90%, non-condensing |
| WATERPROOF STANDARD | IP66 |
| IP SPECIFICATIONS | |
| VIDEO COMPRESSION | H.265 / H.264 / MJPEG |
| VIDEO STREAMING | Primary Stream: 1080p/720p @ 60/50 fps 2nd Stream: D1/CIF @ 30/25 fps 3rd Stream: 720p/D1/CIF @ 30/25 fps |
| VIDEO RESOLUTION | 1080p (1920×1080p) / 720p (1280×720) / D1 (704×576/704×480) / CIF (352×288/352×240) |
| AUDIO COMPRESSION | G.711a/G.711Mu/AAC/G.726 |
| AUDIO STREAM | Full-duplex, Simplex |
| INTERFACE | RJ-45, 10/100 Mbps Ethernet |
| SUPPORTED PROTOCOLS* | IPv4/v6, TCP/IP, UDP, RTP, RTSP, HTTP, HTTPS, SSL, FTP, SMTP, DHCP, PPPoE, UPnP, SNMP, Bonjour, DDNS, IEEE 802.1x, QoS, NTP, IP Filter, ONVIF |
| SECURITY | User account and password protection, HTTPS, IP Filter, IEEE 802.1x, Digest authentication, User access log, Hardware security chipset protection |
| MAXIMUM USERS ACCESS | 20 users |
| MICRO SD | Support for microSD up to 128 GB (card not included) |
| MICRO SD FUNCTION | Event trigger recording Continuous and scheduled recording Automatic recording when network fails |
| SUPPORTED WEB BROWSERS | Internet Explorer® (11.0+) |
| SUPPORTED OS | Windows® 7 32-bit/64-bit |
| COMMUNICATION | ONVIF Profile S and G |
| REGULATORY | |
| EMISSIONS | FCC Part 15B, EN55032 |
| IMMUNITY | EN55024, EN50130-4 |
| SAFETY | EU: EN60950-1 North America UL listed to UL/CSA 60950-1 |
| ROHS | EN50581: 2012 |

* Some development may be required in specific user cases to support some of these protocols in the field as they mature over time.

HDZ SERIES – 25X Z

Technical RECOMMENDED ACCESSORIES

ONVIF support and open API software integration. Refer to www.onvif.org for the ONVIF specification and the Honeywell Open Technology Alliance website (<http://www.security.honeywell.com/hota/>) to learn more about our open and integrated solutions.



RECOMMENDED MOUNTS

| | |
|---------|---|
| HDZPMA | Pole mount adapter for wall mount |
| HDZCMA | Corner mount adapter for wall mount |
| HDZJB | Junction box |
| HDZNPTA | 1.5" NPT adapter |
| HDZWM2 | Wall mount with access hole |
| HDZGM | Wall mount gooseneck bracket |
| HDZCM1 | Ceiling mount |
| HDZCM2 | Ceiling mount extension pole for HDZCM1, 220 mm |
| HDZCM3 | Ceiling mount extension pole for HDZCM1, 420 mm |

| | |
|----------|--|
| HEN081*4 | 8ch, 2 HDD, 8 PoE, 4K, H.265 |
| HEN161*4 | 16ch, 2 HDD, 16 PoE, 4K, H.265 |
| HEN321*4 | 32ch, 2 HDD, 16 PoE, 4K, H.265 |
| HEN162*4 | 16ch, 4 HDD, 16 PoE, 4K, H.265 |
| HEN322*4 | 32ch, 4 HDD, 16 PoE, 4K, H.265 |
| HEN642*4 | 64ch, 4 HDD, 16 PoE, 4K, H.265 |
| HEN163*4 | 16ch, 8 HDD, 16 PoE, 4K, H.265, RAID 5&6 |
| HEN323*4 | 32ch, 8 HDD, 16 PoE, 4K, H.265, RAID 5&6 |
| HEN643*4 | 64ch, 8 HDD, 16 PoE, 4K, H.265, RAID 5&6 |

* The * = hard drive capacity in TB.

ORDERING

| | |
|-----------|--|
| HDZP252DI | Network TDN PTZ Dome, 1080p Resolution, 25x Zoom, WDR, H.265/H.264, NTSC/PAL, 6 IR LEDs, IP66, PoE+, micro SD Card Compatible (Supports up to 128 GB cards, card not included) |
|-----------|--|

For more information,

<https://honeywellbuildings.in>

Call: 1-800-103-0339

Email: HBT-Indiabuildings@honeywell.com

Honeywell HBT India Buildings

Unitech Trade Center, 5th Floor, Sector-43,
Block C, Sushant Lok Phase - I,
Gurgaon - 122 002

www.honeywell.com

© 2020 Honeywell International Inc.

**HDZ SERIES – 25X
ZOOM IR
WDR PTZ IP CAMERAS**

Honeywell