

HDZI SERIES

HDZI454DIK

4MP 45X Zoom WDR Network Outdoor IR PTZ Camera



ONVIF® | S G Q

CAMERA	
Video Standard	PAL/NTSC
Scanning System	Progressive scan
Image Sensor	1/2.8" CMOS
Number Of Pixels (H x V)	2560(H) x 1440(V), 4MP
Pixel Counter	On/Off
Type	PTZ
Aspect Ratio	16:9
Minimum Illumination	Color: 0.005Lux@F1.6; B/W: 0.0005Lux@F1.6; 0Lux@F1.6 (IR on)
S/N Ratio	>55 dB
Lens	4mm-180mm
Optical Zoom	45x
Digital Zoom	16x
Min. Working Distance	1-3m(Wide-Tele)
Max Aperture	F1.5 - F4.0
Focus	Auto/Semi-automatic/Manual
Field Of View	H: 70.3° - 1.8° V: 37° - 1° D: 69.3° - 2°
IRIS	DC IRIS/ Auto IRIS Holzer aperture
Shutter Speed	1/1 s ~ 1/100000s
IR Distance	Upto 200m (658ft), depending on reflectance
Day& Night	Dual-ICR
HLC	On/Off
Scene Adaptive Control (SAC)	On/Off
Auto WDR	Yes
White Balance	Auto Tracking White Balance (ATW), Auto White Control (Auto), Sodium Lamp, Street Lamp, Natural, Indoor, Outdoor, Manual
White Balance Range	1500K - 10000K
Exposure Mode	Auto/Aperture Priority/Shutter Priority/Gain Priority/Manual

CAMERA	
Wide Dynamic Range	120dB
Gain Control	Auto/Manual
Noise Reduction	3D DNR
Motion Detection	Off/ On / By Schedule / 8 Zones
Privacy Zone	24 Dynamic Privacy Mask Programmable; Optional Multiple Colors
Region of Interest	8 Dynamic Areas for Main Stream
Cropping	On/Off
Electronic Image Stabilization	On/Off
Smart Defog	On/Off
Picture Overlay	128x128,, BMP 16k, Zone Configurable
On-Screen Display (OSD)	Preset/ Temperature/ Coordinates / Zoom/ Pattern/ Text Overlay (support max 5*45 characters). Font Size: Small/ Medium/ Large Font Color : Customizable

OPERATIONAL	
Pan Range	360° Endless
Pan Speed : Manual	Pan Manual Speed: 0.1°/s~300°/s
Pan Speed : Preset	Pan Preset Speed: 400°/s
Preset Accuracy	±0.1°
Tilt Range	-16°-90° (Auto Flip)
Tilt Speed : Manual	Tilt Manual Speed: 0.1°/s~200°/s
Tilt Speed : Preset	Tilt Preset Speed: 300°/s
Auto Tracking	Supported

Honeywell

HDZI Series HDZI454DIK

OPERATIONAL	
3D Position	Yes
Presets	500
Auto Pan	Yes
Scan	8
Tours	8
Pattern	8
Power Loss Recovery	Auto Resume
Guard Action	Preset/ Tour/ Pattern/ Scan
PTZ Position Display	Yes
Freeze Frame	Yes
Adaptive / Smart Ir	Yes
IR Angle	Adjustable by Zoom
Image Rotation	Auto - Flip

IP SPECIFICATIONS	
Video Compression	H.265+/H.265/H.264+/H.264H/ H.264M/H.264B/MJPEG
Video Encoding Type	High Profile/Main Profile/Base Line Profile
Video Bit Rate	32Kbps~16Mbps
Bit Rate Control	CBR and VBR
Audio Compression	G.711a/G.711Mu/AAC/MPEG2-Layer2/ G.726/G.722.1/G.729/G.723
Audio Stream	Full duplex, simplex
Audio Bit Rate	8K~48Kbps
Frame Rate	Frame rate is configurable from 1- 25/30fps in each resolution
Resolution	4M (2560x1440) 3M (2048x1536) 1080P(1920x1080) 1.3M(1280x 960) 720P(1280x 720) D1(704x 576/704x 480) VGA(640x480) CIF(352x 288/352x 240)
Video Streams	Primary Stream : 4MP (1~25/30fps) Secondary Stream : D1/CIF(1 ~ 25/30fps) Third Stream : 1080P 25/30fps
Image Settings	3D Digital Noise Reduction (On/off) Color, Brightness, Sharpness, Contrast, White Balance, Exposure Control, Exposure Zones, Backlight Compensation, Defog, Fine Tuning Of Behavior At Low Light, Rotation
Log Function	Login/Logout, Operator Actions, SD Card Error, SC Card Memory Full, IP Change, Tamper Alarm, Masking, Motion Detection, Online/Offline
Browser	Internet Explorer 11/Google Chrome/Firefox
Snapshot	Full resolution

IP SPECIFICATIONS	
Situational Awareness and PTZ Stream Configuration	Viewing: analytic sees motion, Digital PTZ Recording: whole area, set zones of interest (ROI)
Network Storage	Yes
NTP	Yes
Micro SD Function	<ul style="list-style-type: none"> Event trigger recording Continuous and scheduled recording Automatic recording when network fails
Local Recording	Snapshot, video clip on alarm, video loop
Alarm Trigger	Motion Detection/IP Conflict/MAC Conflict /Mask Alarm/Memory full/ Memory Exception
Event Notification	Record (SD card and FTP), Relay output, Email, Snapshot
Protocols	HTTP; HTTPS; TCP; ARP; RTSP; RTP; UDP; SMTP;NFS; FTP; NTP; DHCP; DNS; DDNS; PPPOE; IPv4/v6; QoS;UPnP;NTP; Bonjour; 802.1x; Unicast ; Multicast; ICMP;SNMP
User Permission	2 Level (admin and user, permission configurable)
Remote Connection /max Users	20 Users Access simultaneously
Multicast	Unlimited users on H.264/H.265
System Compatibility	ONVIF Profile S, G and Q
Audio Input	1-ch Line in Interface Line Input 2-2.4V [p-p]; impedance 1KΩ, ±10%
Audio Output	1-ch, Line level, Impedance: 600Ω
Alarm Input	2-ch
Alarm Output	1-ch
On-board Storage	MicroSD Card Slot support up 256GB
External Storage Support	NAS, FTP
Extension	Reset Button
Language	English, Spanish, Korean, Italian, German, Portuguese, Czech, Dutch, Arabic, Russian, Polish, French, Simplified Chinese

ELECTRICAL	
Network/ethernet	RJ-45 (10/100 Base-T)
Power Supply	AC 24V ± 20% ; 3A, PoE+ (802.3at)
Power Consumption	12W, 21W (IR on,Heater on)
Auxillary Power Supply Output	12W
Circuit Protection	TVS 6000V, Lightning/Surge Protection: (Power 2000V, RJ45 1000V)

HDZI Series HDZI454DIK

ENVIRONMENTAL	
Ingress Protection	IP67
Impact Resistance	IK10
Operating Temperature	-40°C-70°C
Operating Humidity	RH 0% to 95% (non-condensing), Upto 100% (Condensing)
Heater	Yes
Fan	Yes

MECHANICAL	
Dimensions	Φ190.4(mm) x 332(mm)
Weight	Net Weight 4.7kg(10.36lb) Gross Weight 7.9kg(17.42lb)*

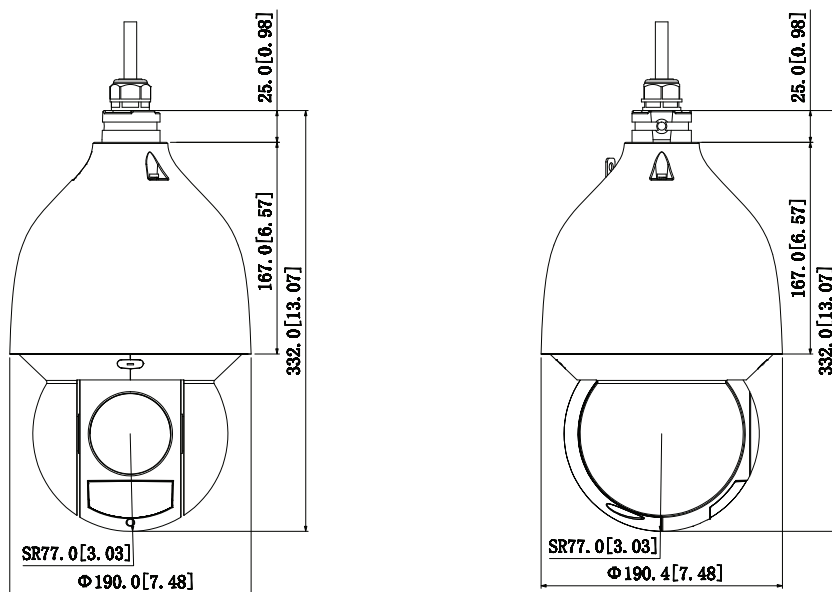
SECURITY	
Security	User account and password protection HTTPS, IP Filter, IEEE 802.1x, Digest authentication, User access log, TLS1.2, AES-256, SSH/Telnet closed, FTP disabled, PCI-DSS compliance, Hardware chipset for private key
Security Access	Multiple user access levels with password protection IP filtering, HTTPS, IEEE 802.1x
Cybersecurity Chipset	Available
REGULATORY	
Certifications	CE, FCC, UL and BIS

NOTE :
Honeywell reserves the right, without notification, to make changes in product design or specifications.

*'ONVIF' and are trademarks of ONVIF Inc.

ORDERING INFORMATION	
HDZI454DIK	Network TDN IR PTZ Dome, 4MP Resolution, 45x Zoom, WDR, H.265, NTSC/PAL, IK10, micro SD Card Compatible (Supports up to 128 GB cards, card not included) (Wall Mount Included)
HDZPMA	Pole Mount adapter for wall mount

DIMENSIONS



For more information,
<https://honeywellbuildings.in>
 Call : +91 124 4975000
 Email: HBT-Indiabuildings@honeywell.com

Honeywell HBT India Buildings
 Unitech Trade Center, 5th Floor, Sector-43,
 Block C, Sushant Lok Phase - I,
 Gurugram - 122 002
 Haryana India

www.honeywell.com

© 2020 Honeywell International Inc.

**HDZI Series
 HDZI454DIK**

Honeywell