

HCL2GV / HCW2GV

Network TDN Low-Light WDR 2MP Box Camera



HD ONVIF | SGG

OPERATIONAL	
VIDEO STANDARD	NTSC/PAL
SCANNING SYSTEM	Progressive scan
IMAGE SENSOR	1/2.8" 2 Megapixel progressive scan CMOS
NUMBER OF PIXELS (H × V)	2MP - 1920x1080
MINIMUM ILLUMINATION	Colour: 0.001Lux @f/1.6, B/W: 0.001Lux @f/1.6
S/N RATIO	50 db minimum
ELECTRONIC SHUTTER SPEED	Auto/Manual, 1/3-1/100000s
DAY/NIGHT	Mechanical ICR (ON / OFF / AUTO selectable)
BACKLIGHT COMPENSATION	BLC / HLC / WDR /SAC(Scene Adaptive Control)
WIDE DYNAMIC RANGE (WDR)	HCL2GV: 140dB (50/60fps off) HCW2GV: 120dB (50/60fps off)
WHITE BALANCE	Auto/Natural/Street Lamp/Outdoor/Manual/ Customize Region
GAIN CONTROL	Auto/Manual
NOISE REDUCTION	3D Noise Reduction (ON / OFF selectable)
PRIVACY MASKING	Up to 4 configurable areas
ELECTRONIC IMAGE STABILIZATION	HCW2GV: Not supported HCL2GV: ON/OFF
DEFOG	Auto/Manual/Off
LENS	Option, support DC-Iris
AUDIO/TWO-WAY	Line In/Out, 1 built-in Mic
ALARM INPUT/OUTPUT	2 in / 1 out
ANALOG OUTPUT SUPPORT	Supported
ETHERNET	HCW2GV: RJ-45 (10/100 Base-T) HCL2GV: RJ-45 (100/1000 Base-T)

IP SPECIFICATIONS		
VIDEO COMPRESSION	H.265+, H.265, H.264 and MJPEG bit rate control (CBR and VBR)	
RESOLUTION	16:9	1080p (1920×1080)/ 720p (1280×720)
	4:3	1.3M (1280×960)/VGA (640×480)
	OTHER	D1 (704×576/704×480)/ CIF (352×288/352×240)
FRAME RATE	MAIN STREAM	1080P (1~50/60fps WDR off)
	SUB STREAM	D1 (1~50/60fps WDR off)
	THIRD STREAM	HCL2GV: 1080P (1~50/60fps WDR off) HCW2GV: 1080P (1~25/30fps)
		HCW2GV: Simultaneous Main stream and Third stream at 1080P (Main stream +Third stream <=68fps, WDR off, 2nd stream off) HCL2GV: Simultaneous Main stream and Third stream at 1080P (Main stream at 50/60fps WDR off, Third stream at 50/60fps WDR off)
AUDIO COMPRESSION	G.711a/ G.711Mu/ AAC/G.726	
AUDIO STREAM	Full duplex, simplex	
SUPPORTED WEB BROWSERS	IE11/Chrome(with application)/Firefox(earlier than 52.0 version)	
SUPPORTED OS	Windows® 7 32-bit/64-bit; Windows® 10 32-bit/64-bit	
SUPPORTED PROTOCOLS*	HTTP; HTTPS; TCP; ARP; RTSP; RTP; UDP; SMTP; FTP; DHCP; DNS; DDNS; PPPoE; IPv4/v6; QoS; UPnP; NTP; Bonjour; 802.1x; Multicast; ICMP; SNMP	
COMPATIBILITY	ONVIF Profile S, G and Q	
MAXIMUM USERS ACCESS	20 users	

* Some development may be required in specific user cases to support some of these protocols in the field as they mature over time.

IP SPECIFICATIONS (CONT.)		
SECURITY	User account and password protection HTTPS, IP Filter, IEEE 802.1x, Digest authentication, User access log, TLS1.2, AES-256, SSH/Telnet closed, FTP disabled, PCI-DSS compliance, Hardware chipset for private key	
HEAT MAP	HCL2GV: Support	
BUILT-IN ALARM & EVENT	EVENT TYPE	HCW2GV: Motion Detection/Video Tampering/Face Detection/SD Card Error/SD Card Capacity Warning/Audio Detection/Object Abandoned/Object Missing/Tripwire/Intrusion HCL2GV: Motion Detection/Video Tampering/Face Detection/SD Card Error/SD Card Capacity Warning/Audio Detection/Object Abandoned/Object Missing/People counting
	EVENT LINKAGE	Recording on SD card, Relay output, Email, Snapshot
	EVENT OUTPUT	ONVIF, ISOM
UPLOADABLE VIDEO ANALYTICS (HCL2GV ONLY)	BASIC	Trigger line/Intrusion/Loitering available now (Please download from www.honeywellvideo.com . Free of Charge, but please email to VALicensing@Honeywell.com to get license.)
	ADVANCED LICENSED ANALYTICS	IntrusionTrace/LoiterTrace for advanced applications coming soon. (Need to purchase separately)
	ANALYTICS OUTPUT	ISOM event output, Metadata
MICRO SD	Micro SDHC Capacity Max 32GB Micro SDXC Capacity Max 128GB	
MICRO SD FUNCTION	<ul style="list-style-type: none"> Event trigger recording Continuous and scheduled recording Automatic recording when network fails 	
LANGUAGES SUPPORTED	English, Arabic, Czech, Dutch, French, German, Italian, Japanese, Korean, Polish, Portuguese, Russian, Simplified Chinese, Spanish, Turkish	
ELECTRICAL		
POWER SUPPLY	PoE(802.3af) Class 0/12VDC/24VAC	
LONG DISTANCE POE SUPPORT	3X POE (300m @100Mbps)	
AC FREQUENCY	50/60 Hz	
POWER CONSUMPTION	HCW2GV: Max 10W HCL2GV: Max 9.5W	
AUXILIARY POWER SUPPLY	2.0W, DC12V (+/-5%)	
MECHANICAL		
DIMENSIONS	125.0×75.8×69.0 mm (4.92×2.98×2.72 in.)	
WEIGHT	HCW2GV: Product weight: 535g (1.18lb); Package Weight: 756g (1.67lb) HCL2GV: Product weight: 534g (1.18lb); Package Weight: 755g (1.66lb)	
CONSTRUCTION	Die-cast aluminum housing with powder coat	
CONSTRUCTION COLOUR	RAL 9003 (White) and RAL 7022 (Grey)	
ENVIRONMENTAL		
OPERATING TEMPERATURE	-30°C to 60°C (-22°F to 140°F)	
RELATIVE HUMIDITY	0% to 95%, non-condensing	
REGULATORY		
EMISSIONS	FCC Part 15, CE (EN 55032); Complies with RCM (AS/NZS)	
IMMUNITY	CE (EN 50130-4)	
SAFETY	North America UL Listed to UL/CSA 60950-1, CE (EN 60950-1)	
ROHS	EN50581	

HCL2GV/HCW2GV

NETWORK TDN LOW-LIGHT WDR 2MP BOX CAMERA

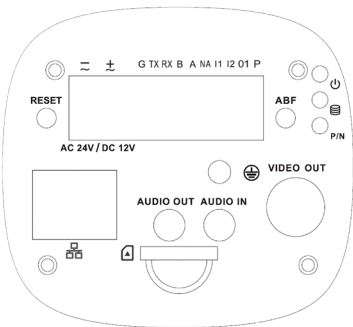
RECOMMENDED ACCESSORIES

SYSTEM INTEGRATION

ONVIF support and open API software integration. Refer to www.onvif.org for the ONVIF specification and the Honeywell Open Technology Alliance website (<http://www.security.honeywell.com/hota/>) to learn more about our open and integrated solutions.



REAR VIEW



G	GND
TX	RS232 (TX)
RX	RS232 (RX)
B	RS485 B (Control outside PTZ)
A	RS485 A (Control outside PTZ)
NA	Outside IR Sensor Signal (For IR Cut)
I1	Alarm In 1
I2	Alarm In 2
O1	Alarm Out (Normal Open)
P	AUX Power Output (DC12V/2W)

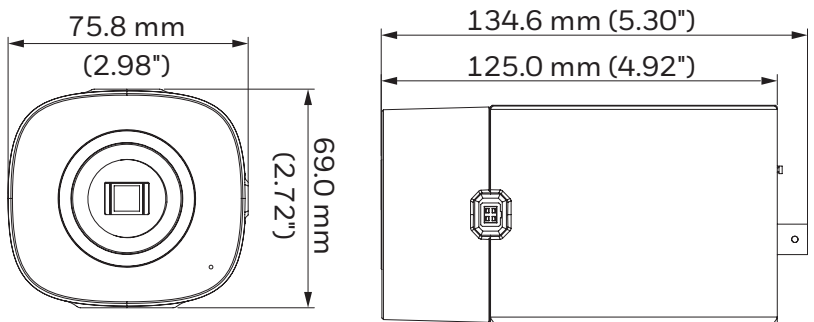
MOUNTS AND ACCESSORIES

HLM105V42MPD		12 Megapixel 4K, 10.5 – 42 mm Lens
HLM5V50MPDE		6MP, 1/1.2.7", F1.6, 5.0 – 50mm CS lens
HLM37V16MPD		12 Megapixel 4K, 3.7 – 16 mm Lens
HLM27V12MPD		4 MP, 1/2.7", F1.6, 2.7 – 12.0 mm CS Lens
HBC5WT-2		Box Camera Wall Mount
HPOE3X		3X Long Distance POE Switch
HLR1001		IP over Coax Converter

ORDERING

HCL2GV	Network TDN Intelligent Ultra WDR Box Camera, 1/2.8" 2 Megapixel progressive scan CMOS, PoE, H.265.
HCW2GV	Network TDN Low Light WDR Box Camera, 1/2.8" 2 Megapixel progressive scan CMOS, PoE, H.265.

DIMENSIONS



For more information,
<https://honeywellbuildings.in>
 Call: 1-800-103-0339
 Email: HBT-Indiabuildings@honeywell.com

Honeywell HBT India Buildings
 Unitech Trade Center, 5th Floor, Sector-43,
 Block C, Sushant Lok Phase - I,
 Gurgaon - 122 002

www.honeywell.com

ONVIF and the ONVIF logo are trademarks of ONVIF Inc. Honeywell reserves the right, without notification, to make changes in product design or specifications.

HSV-HC2GV-01-UK(0618)DS-Z
 © 2020 Honeywell International Inc.

HCL2GV / HCW2GV
NETWORK TDN LOW-
LIGHT WDR 2MP BOX
CAMERA

Honeywell