

60 SERIES HC60WZ5R30



5 MP Network TDN WDR IR Speed Dome Camera

OPERATIONAL		VIDEO	
Video Standard	NTSC / PAL	Video Compression	H.265 HEVC / H.264 / MJPEG, Smart Codec
Scanning System	Progressive scan	Resolution	(16:9) 2560 x 1440 / 2048 x 1152 / 1920 x 1080 / 1600 x 904 / 1360 x 768 / 1280 x 720 / 800 x 448 / 640 x 360 (4:3) 2560 x 1920 / 2048 x 1536 / 1920 x 1440 / 1600 x 1200 / 1280 x 960 / 800 x 600 / 640 x 480
Image Sensor	1/2.8" CMOS	Number of Video Streams	3
Sensor size (H x V)	5.120 x 3.840mm	Frame Rate Main Stream	5M/4M Mode: 2560 x 1920 / 2560 x 1440 / (1-25/30 fps), 2M Mode: 1920 x 1080 (1-50/60 fps)
Number Of Pixels (H x V)	5MP (2560 x 1920mm)	Frame Rate Second Stream	5M mode: 2560 x 1920 / 2048 x 1536 / 1920 x 1440 / 1600 x 1200 / 1280 x 960 / 800 x 600 / 640 x 480 (1-25 / 30 fps) 4M Mode: 2560 x 1440 / 2048 x 1152 / 1920 x 1080 / 1600 x 904 / 1280 x 720 / 800 x 448 / 640 x 360 (1-25 / 30 fps) 2M Mode: 1920 x 1080 / 1600 x 904 / 1360 x 768 / 1280 x 720 / 640 x 360 (1-50 / 60 fps)
Min. illumination (Color/B/W)	Color: 0.04 lux @F1.4 1/30sec BW: 0lux @F1.4 (IR on)	Frame Rate Third Stream	5M mode: 2048 x 1536 / 1920 x 1440 / 1600 x 1200 / 1280 x 960 / 800 x 600 / 640 x 480 (1-25 / 30 fps) 4M Mode: 2048 x 1152 / 1920 x 1080 / 1600 x 904 / 1360 x 768 / 1280 x 720 / 800 x 448 / 640 x 360 (1-25 / 30 fps) 2M Mode: 1920 x 1080 / 1600 x 904 / 1360 x 768 / 1280 x 720 / 640 x 360 (1-50 / 60 fps)
S/N Ratio	> 50 dB	Bit Rate (Control)	20 K ~ 80 Mbps
Electronic Shutter Speed	1/100000 ~ 1/1	AUDIO	
Day/Night	Auto (ICR)/Color/BW	Audio Compression	G.711 / G.726
IR Distance	up to 150m	Audio Stream	2-Way, Full duplex
IR Light Control	Smart IR (Auto/Manual)/OFF	Audio Interface	Line In / Out
IR Light Number	18	NETWORK	
Backlight Compensation	WDR, BLC, HLC	Ethernet	10 Base-T / 100 Base-TX Ethernet (RJ-45)
White Balance	Auto / Fixed Current / Manual	Supported Web Browsers	Chrome 79.0 Internet Explorer 11
Gain Control	0 ~ 100 %	Supported OS	Microsoft Windows 10
Wide Dynamic Range	120 dB	Protocols*	IPv4, IPv6, TCP / IP, HTTP, HTTPS, UPnP, RTSP / RTP / RTCP, IGMP / Multicast, SMTP, DHCP, NTP, DNS, DDNS, CoS, QoS, SNMP, 802.1X, UDP, ICMP, ARP, TLS
Noise Reduction	3D DNR	Interoperability	ONVIF Profile S / G
Lens	30x Optical Zoom, Auto Focus, 4.94mm ~ 148.24mm, DC-IRIS, F1.3 ~ F4.8	Maximum Users Access	10 Users
Electronic Image Stabilization	Support	Security	User account and password protection, HTTPS, IP Filter, Digest authentication, TLS1.2 only, Stream encryption, AES128 / 256, SSH / Telnet closed, PCIDSS compliance, FIPS 140-2 Certified Chipset Built-in
Angle Of View	H: 54° ~ 2° V: 42° ~ 1.5°	Languages Supported	English, French, German, Italian, Japanese, Portuguese, Russian, Spanish, Traditional Chinese
G-Sensor	Support G-Sensor XYZ OSD Display (Default - Off)		
Privacy Masking	Off / On (24 Areas)		
Defog	Support		
Encryption Chipset	FIPS 140-2 Certified Chipset Built-in		
Local Storage	Micro SD / SDHC / SDXC card slot (up to 256 GB)		
Micro USB	Support Wifi Dongle for configuration		
Alarm Inputs / Outputs	2 In / 1 Out		
PTZ			
Pan Speed	0.05° ~ 440° / sec		
Pan Range	360° endless		
Tilt Speed	0.05° ~ 350° / sec		
Tilt Range	220° (-110° ~ 110°)		
Preset Locations	256 preset locations, 128 presets per tour		
Preset Accuracy	0.1°		
Auto Pan Scan	Support		
Auto Tracking	Support		
Auto Resume After Power Failure	Resume to Home Position		

60 SERIES 5 MP NETWORK TDN WDR IR SPEED DOME CAMERA

EVENTS / ANALYTICS

Video Analytics	Intrusion, Loiter, Line crossing, Unattended object, Missing object, Face detection
Event type	Video motion detection, Periodically, Alarm input, System boot, Recording notification, Camera tampering detection
Event linkage	Event notification using digital output, HTTP, Email and MicroSD card
Region Of Interest	5

ELECTRICAL

Power Supply	AC 24 V~, 3 A, 50-60 Hz; or UPOE 42.5-57 V, MAX 51 W
Power Consumption	MAX 51 W

MECHANICAL

Dimensions (Ø x H)	Ø243.92 mm x 455.28 mm (Ø9.6"x17.9")
Product Weight	6.95kg (15.3lb)
Package Weight	8.75kg (19.3lb)
Material	Aluminum and Plastic
Construction Color	Honeywell White, Pantone Black

ENVIRONMENTAL

Operating Temperature	Starting Temperature: -40 °C ~ 60 °C (-40 °F ~ 140 °F) Working Temperature: -40 °C ~ 60 °C (-40 °F ~ 140 °F) (IR OFF)
Relative Humidity	Less than 90 %, non-condensing
Ingress Protection	IP66/NEMA 4X
Impact Resistance	IK10
Heater	Supported

REGULATORY

Emissions	FCC PART 15, CE (EN 55032)
Immunity	CE (EN 50130-4)
Safety	UL LISTED TO UL / CSA 62368-1, CE (EN 62368-1), UL / CSA 60950-22, CE (EN 60950-22)
RoHS	CE (EN 50581), UAE (Cabinet Decree No.10 of 2017)
Country of Origin	Taiwan

SYSTEM COMPATIBILITY

Pro-Watch NVR	Up to 256 IP channels RAID5 / 6 Enterprise NVR
MAXPRO NVR PE	Up to 128 IP channels RAID5 / 6 Enterprise NVR
MAXPRO NVR SE	Up to 64 IP channels System NVR
MAXPRO NVR XE	Up to 16 IP channels System NVR
MAXPRO NVR SOFTWARE	Up to 128 IP channels Recording Software
ADPRO NVR FASTTRACE 2E	Up to 32 IP channels with up to 32 VA channels NVRs
ADPRO NVR iFT-E	Up to 32 IP channels with up to 32 VA channels NVRs
ADPRO NVR iFT	Up to 32 IP channels or 16 IP channels with up to 16 VA channels NVRs
ADPRO NVR iFT GATEWAY	4 IP channels + 4 VA channels
HEN*4	8 / 16 / 32 / 64-channel Performance Series NVRs (H.264 and H.265)
Honeywell DVM	Supported with Honeywell DVM R700, DVM R620
30 Series NVR	Integration with 30 Series NVR

OPTIONAL MOUNTS AND ACCESSORIES

HA60NPTA*	NPT Adapter, 1.5NPT
HA60WLMZ	Wall Mount Bracket, 1.5 NPT
HA60PLMZ	Pole Mount Adapter
HA60CNMZ	Corner Mount Adapter
HA60WIF	Wifi dongle and USB adapter for camera configuration
HA60POEZ	UPOE Injector

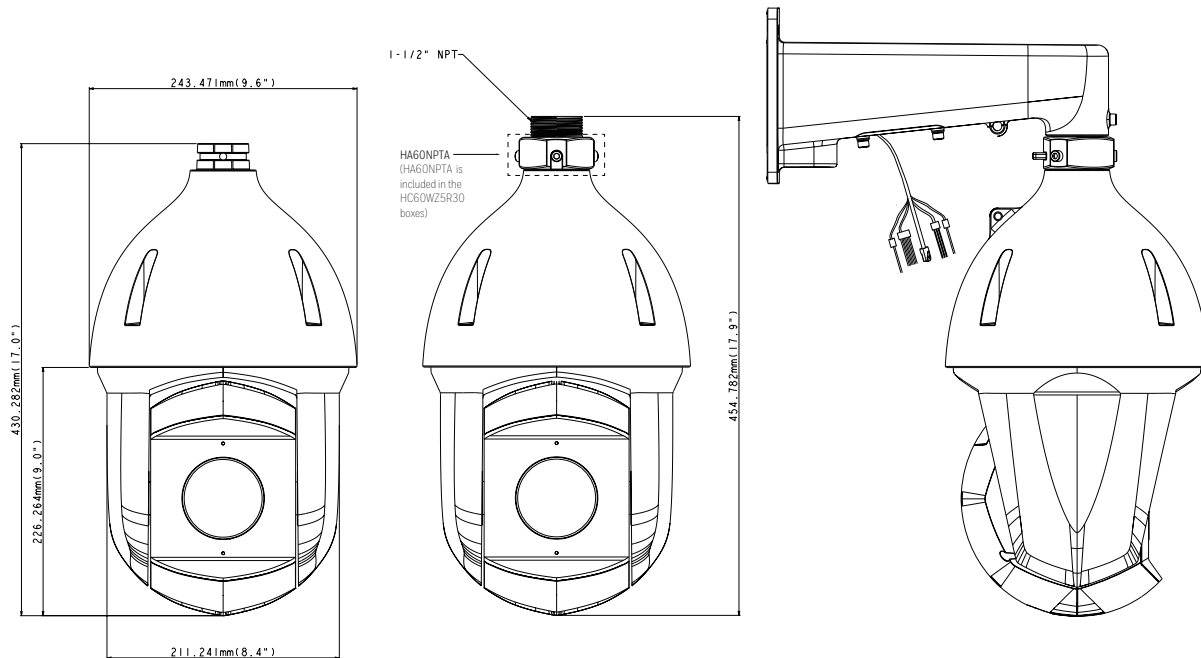
* HA60NPTA is included in the HC60WZ5R30 box.

ORDERING

HC60WZ5R30	Network TDN WDR IR Speed Dome Camera, 30X optical zoom, 1/2.8" 5 Megapixel progressive scan CMOS UPOE, H.265
------------	--

60 SERIES 5 MP NETWORK TDN WDR IR SPEED DOME CAMERA

DIMENSIONS



For more information,
<https://honeywellbuildings.in>
Call: 1-800-103-0339
Email: HBT-Indiabuildings@honeywell.com

Honeywell HBT India Buildings
Unitech Trade Center, 5th Floor, Sector-43,
Block C, Sushant Lok Phase - I,
Gurgaon - 122 002

www.honeywell.com



ONVIF and the ONVIF logo are trademarks of ONVIF Inc.
HEVC Advance logo is a trademark of HEVC Advance
Honeywell reserves the right, without notification, to
make changes in product design or specifications.

HSV-HC60WZ5R30-01-IN(0721)DS-Y
© 2021 Honeywell International Inc.

Honeywell