

60 SERIES HC60WZ2E30

2MP Network TDN WDR Outdoor Speed Dome Camera



OPERATIONAL

Video Standard	NTSC / PAL
Scanning System	Progressive
Image Sensor	1/2.8" CMOS
Sensor Size (H x V)	5.57 x 3.13 mm
Number Of Pixels (H x V)	1920 x 1080
Min. illumination (Color/B/W)	Color: 0.1 Lux @F1.6, B/W: 0.005Lux @F1.6
S/N Ratio	55 dB
Electronic Shutter Speed	1/10000 ~ 1/1
Day/Night	Auto / Day / Night / Schedule
Backlight Compensation	WDR, BLC, HLC
White Balance	Auto / Fixed Current / Manual
Wide Dynamic Range	120 dB
Noise Reduction	3D DNR
Lens	30x Optical Zoom, Auto Focus, 4.3 mm ~ 129 mm, DC-IRIS, F 1.6 ~ F 4.7
Electronic Image Stabilization	Support
Angle Of View	H: 64° ~ 2°, V: 36° ~ 1°
G-Sensor	Support Camera Direction OSD Display
Privacy Masking	Off / On (24 Areas)
Defog	Support
Local Storage	Micro SD / SDHC / SDXC card slot (up to 256 GB)
Micro USB	Support Wifi Dongle for configuration

PTZ

Pan Speed	0.05° ~ 450° / sec.
Pan Range	360° endless
Tilt Speed	0.05° ~ 450° / sec.
Tilt Range	220° (-110° ~ + 110°)
Preset Locations	256 preset locations, 128 presets per patrol
Auto Pan Scan	Support
Auto Tracking	Support
Auto Resume After Power Failure	Support

VIDEO

Video Compression	H.265 HEVC / H.264 / MJPEG, Smart Codec
Resolution (16/9)	1920 x 1080 / 1280 x 720 / 640 x 360
Number of Video Streams	3
Frame Rate Main Stream	1920 x 1080 / 1280 x 720 / 640 x 360 (1-50 / 60 fps)
Frame Rate Second Stream	1280 x 720 / 640 x 360 (1-50 / 60 fps)
Frame Rate Third Stream	640 x 360 (1-50 / 60 fps)
Bit Rate (Control)	20 K ~ 80 MBPS

AUDIO

Audio Compression	G.711a / G.711 Mu / G.726
Audio Stream	Full duplex
Audio Interface	Line In / Out

NETWORK

Ethernet	10 Base-T / 100 Base-TX Ethernet (RJ-45)
Supported Web Browsers	Chrome 79.0 Internet Explorer 11
Supported OS	Microsoft Windows 10
Protocols*	IPv4, IPv6, TCP / IP, HTTP, HTTPS, UPnP, RTSP / RTP / RTCP, IGMP / Multicast, CIFS / SMB, SMTP, DHCP, NTP, DNS, DDNS, CoS, QoS, SNMP, 802.1X, UDP, ICMP, ARP, TLS
Interoperability	ONVIF Profile G / S
Maximum Users Access	10 Users
Security	User account and password protection, HTTPS, IP Filter, Digest authentication, TLS1.2 only, Stream encryption, AES128 / 256, SSH / Telnet closed, PCIDSS compliance, FIPS Chipset Built-In
Languages Supported	English, French, German, Italian, Japanese, Portuguese, Russian, Spanish, Traditional Chinese

ELECTRICAL

Power Supply	24 VDC / 24 VAC (50 / 60 Hz), 60 W UPOE
Power Consumption	MAX 48 W / 26 W (Heater on / off)
Alarm Inputs / Outputs	4 In / 2 Out

MECHANICAL

Dimensions (Ø x H)	Ø 222.8 mm x 221.3 mm (Ø 8.8" x 8.7")
Dome diameter	162.0mm (6.4")
Product Weight	3.072 kg (6.77 lb)
Package Weight	4.19 kg (9.24 lb)
Material	Die-casting aluminum housing with coating sunshield, Bubble-plastic
Construction Color	RAL 120-1 (Lyric White)

ENVIRONMENTAL

Operating Temperature	Starting Temperature: -40 °C ~ 55 °C (-40 °F ~ 131 °F) Working Temperature: 40 °C ~ 55 °C (-40 °F ~ 131 °F)
Relative Humidity	Less than 90 %, non-condensing
Ingress Protection	IP68 / NEMA 4X
Impact Resistance	IK10
Heater	Yes

REGULATORY

Emissions	FCC PART 15, CE (EN 55032)
Immunity	CE (EN 50130-4)
Safety	UL LISTED TO UL / CSA 62368-1, CE (EN 62368-1), UL / CSA 60950-22, CE (EN 60950-22)
RoHS	CE (EN 50581), EAC (TR EAEU 037 / 2016), UAE (Cabinet Decree No.10 of 2017)
Country of Origin	Taiwan

Honeywell

60 SERIES 2MP NETWORK TDN WDR OUTDOOR SPEED DOME CAMERA

SYSTEM COMPATIBILITY	
Pro-Watch NVR	Up to 256 IP channels RAID5 / 6 Enterprise NVR
MAXPRO NVR PE	Up to 128 IP channels RAID5 / 6 Enterprise NVR
MAXPRO NVR SE	Up to 64 IP channels System NVR
MAXPRO NVR XE	Up to 16 IP channels System NVR
MAXPRO NVR SOFTWARE	Up to 128 IP channels Recording Software
ADPRO NVR FASTTRACE 2E	Up to 32 IP channels with up to 32 VA channels NVRs
ADPRO NVR iFT-E	Up to 32 IP channels with up to 32 VA channels NVRs
ADPRO NVR iFT	Up to 32 IP channels or 16 IP channels with up to 16 VA channels NVRs
ADPRO NVR eFT	Up to 16 IP channels or 8 IP channels with up to 8 VA channels NVRs
ADPRO NVR iFT GATEWAY	4 IP channels + 4 VA channels
HEN*4	8 / 16 / 32 / 64-channel Performance Series NVRs (H.264 and H.265)
Honeywell DVM	Supported with Honeywell DVM R700 , DVM R620

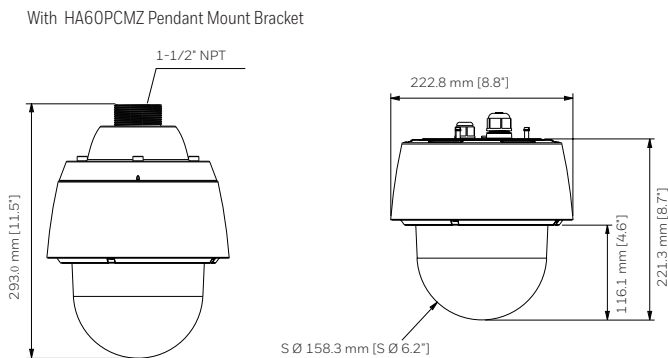
OPTIONAL MOUNTS AND ACCESSORIES	
HA60PCMZ	Pendant Mount Bracket, 1.5 NPT (include in the package)
HA60WLMZ	Wall Mount Bracket, 1.5 NPT
HA60PLMZ	Pole Mount Adapter
HA60CNMZ	Corner Mount Adapter
HA60ICMZ	In-Ceiling Mount Bracket
HA60CB6	6 inch Clear Bubble
HA60SB6	6 inch Smoked Bubble
HA60WIF	Wifi dongle and USB adapter for camera configuration
HA60POEZ	UPOE Injector



Learn more
about 60 Series
accessories

ORDERING	
HC60WZ2E30	2 MP Network PTZ Outdoor Dome, WDR 120 dB, 1/2.8" CMOS, 30X Optical Zoom, TDN, H.265 HEVC Smart Codec, UPoE, 24 VAC / DC, IP68 / IK10 / NEMA4X, White

DIMENSIONS



For more information,
<https://honeywellbuildings.in>
 Call: 1-800-103-0339
 Email: HBT-Indiabuildings@honeywell.com

Honeywell HBT India Buildings
 Unitech Trade Center, 5th Floor, Sector-43,
 Block C, Sushant Lok Phase - I,
 Gurgaon - 122 002

www.honeywell.com



ONVIF and the ONVIF logo are trademarks of ONVIF Inc.
 HEVC Advance logo is a trademark of HEVC Advance
 Honeywell reserves the right, without notification, to
 make changes in product design or specifications.

HSV-HC60WZ2E30-01-US(0220)DS-Y
 © 2020 Honeywell International Inc.

60 SERIES
HC60WZ2E30

Honeywell