

# 60 SERIES

## HC60WB5R2

## HC60WB5R5



### 5MP Network TDN WDR IR Outdoor Bullet Camera

OPERATIONAL	HC60WB5R2	HC60WB5R5	Supported Web Browsers	Chrome 79.0 Internet Explorer 11
Video Standard	NTSC / PAL		Supported OS	Microsoft Windows 10
Scanning System	Progressive		Protocols*	IPv4, IPv6, TCP / IP, HTTP, HTTPS, UPnP, RTSP / RTP / RTCP, IGMP / Multicast, CIFS / SMB, SMTP, DHCP, NTP, DNS, DDNS, CoS, QoS, SNMP, 802.1X, UDP, ICMP, ARP, TLS
Image Sensor (Size: H x V)	1 / 2.8" CMOS (5.18 x 3.89 mm)		Interoperability	ONVIF Profile G / S
Number Of Pixels (H x V)	5 MP (2560 x 1920)		Maximum Users Access	10 Users
Min. illumination (Color/B&W)	0.04 Lux / 0Lux (@F1.4, IR on)	0.06 Lux / 0Lux (@F1.9, IR on)	Security	User account and password protection, HTTPS, IP Filter, Digest authentication, TLS1.2 only, Stream encryption, AES128 / 256, SSH / Telnet closed, PCIDSS compliance, FIPS Chipset Built-In
S/N Ratio	60 dB		Languages Supported	English, French, German, Italian, Japanese, Portuguese, Russian, Spanish, Traditional Chinese
Electronic Shutter Speed	1/32000 ~ 1/30		<b>EVENTS / ANALYTICS</b>	
IR Distance	Up to 60 m (197 ft)		Built-in Video Analytics	Intrusion, Loiter, Line crossing, Unattended object, Missing object, Face detection
IR Light Control	Smart IR (Auto / Manual) / OFF, External IR trigger by output		Event type	Video motion detection, Periodically, Alarm input, System boot, Recording notification, Camera tampering detection
IR Light Number	4		Event linkage	Event notification using digital output, HTTP, Email and MicroSD card
Removable IR-Cut Filter	Yes		Region Of Interest	5
Day/Night	Auto / Day / Night / Synchronize with digital input / Schedule		<b>ELECTRICAL</b>	
Backlight Compensation	WDR, HLC		Power Supply	12 VDC / 24 VAC (50 / 60Hz), Heat On: PoE (IEEE 802.3 at, Class 4), Heat Off: PoE (IEEE 802.3 at, Class 3), Auto Sensing
White Balance	Auto / Fixed Current / Manual		Power Consumption	MAX 25.5 W
Gain Control	0-100 %		Alarm Inputs / Outputs	2 In / 1 Relay Out
Wide Dynamic Range	>120 dB		<b>MECHANICAL</b>	
Noise Reduction	3D DNR		Dimensions (D x D x L)	105.5 mm x 110.6 mm x 288.6 mm (4.2" x 4.4" x 11.4")
Lens	Remote Focus, 2.7 ~ 13.5 mm, MFZ, P-IRIS, F1.4 ~ F2.8	Remote Focus, 5 ~ 50 mm, MFZ, DC-IRIS, F1.9 ~ F2.1	Product Weight	HC60WB5R2: 1.75 kg (3.86 lb); HC60WB5R5: 2.53 kg (5.58 lb)
Angle Of View	H: 100° ~ 30°, V: 72° ~ 23°	H: 45° ~ 7°, V: 33° ~ 5°	Package Weight	HC60WB5R2: 1.78 kg (3.92 lb); HC60WB5R5: 2.56 kg (5.64 lb)
G-Sensor	Support Camera Direction OSD Display (Default - Off)		Body Material	Metal (die casting aluminum with powder coating)
Privacy Masking	Off / On (5 Areas)		Construction Color	RAL 120-1 (Lyric White)
Defog	Support		<b>ENVIRONMENTAL</b>	
Encryption Chipset	Built-in FIPS encryption Chipset		Operating Temperature	Starting and Working Temperature: -40°C ~ 60°C (-40°F ~ 140°F) (802.3at PoE Class 4)
Local Storage	Micro SD / SDHC / SDXC card slot (up to 256 GB), SD Card encryption		Relative Humidity	Less than 90 %, non-condensing
Micro USB	Support Wifi Dongle for configuration		Ingress Protection	IP66 / IP67 / NEMA 4X
Alarm Inputs / Outputs	2 In / 1 Relay Out		Impact Resistance	IK10
<b>VIDEO</b>			Heater / Gore-Vent	Yes / Yes
Video Compression	H.265 HEVC / H.264 / MJPEG, Smart Codec		<b>REGULATORY</b>	
Resolution (16/9)	2560 x 1440 / 1920 x 1080 / 1600 x 904 / 1360 x 768 / 1280 x 720 / 640 x 360		Emissions	FCC PART 15, CE (EN 55032)
Resolution (4/3)	2560 x 1920 / 1600 x 1200 / 1280 x 960 / 640 x 480		Immunity	CE (EN 50130-4)
Number of Video Streams	3		Safety	UL LISTED TO UL / CSA 62368-1, CE (EN 62368-1), UL / CSA 60950-22, CE (EN 60950-22)
Frame Rate Main Stream & Frame Rate Second Stream	2560 x 1440 / 1920 x 1080 / 1600 x 904 / 1360 x 768 / 1280 x 720 / 640 x 360 (1-25/30 fps), 1920 x 1080 / 1600 x 904 / 1360 x 768 / 1280 x 720 / 640 x 360 (1-50/60 fps), 2560 x 1440 (1-50 fps)		RoHS	CE (EN 50581), EAC (TR EAEU 037 / 2016), UAE (Cabinet Decree No.10 of 2017)
Frame Rate Third Stream	1280 x 960 / 640 x 480 (1-25/30 fps), 1280 x 720 / 640 x 360 (1-50/60 fps)		Country of Origin	Taiwan
Bit Rate (Control)	20 K ~ 80 Mbps			
<b>AUDIO</b>				
Audio Compression	G.711a / G.711 Mu / G.726			
Audio Stream	Full duplex, simplex			
Audio Interface	Line In / Out			
<b>NETWORK</b>				
Ethernet	10 Base-T / 100 Base-TX Ethernet (RJ-45)			

# 60 SERIES 5MP NETWORK TDN WDR IR OUTDOOR BULLET CAMERA

SYSTEM COMPATIBILITY	
Pro-Watch NVR	Up to 256 IP channels RAID5 / 6 Enterprise NVR
MAXPRO NVR PE	Up to 128 IP channels RAID5 / 6 Enterprise NVR
MAXPRO NVR SE	Up to 64 IP channels System NVR
MAXPRO NVR XE	Up to 16 IP channels System NVR
MAXPRO NVR SOFTWARE	Up to 128 IP channels Recording Software
ADPRO NVR FastTrace 2E	Up to 32 IP channels with up to 32 VA channels NVRs
ADPRO NVR iFT-E	Up to 32 IP channels with up to 32 VA channels NVRs
ADPRO NVR iFT	Up to 32 IP channels or 16 IP channels with up to 16 VA channels NVRs
ADPRO NVR iFT Gateway	4 IP channels + 4 VA channels
HEN*4	8 / 16 / 32 / 64-channel Performance Series NVRs (H.264 and H.265)
Honeywell DVM	Supported with Honeywell DVM R700 , DVM R620

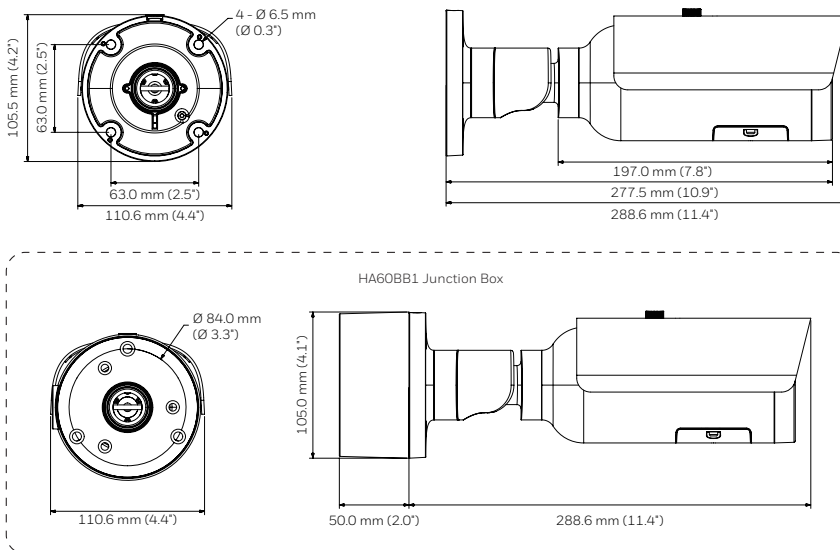
OPTIONAL MOUNTS AND ACCESSORIES	
HB4G-PM	Pole Mount Adapter
HB34G-CM	Corner Mount Adapter
HA30PLM01	Pole Mount Adapter
HA30CNM01	Corner Mount Adapter
HA60BB1	Junction box, 60 series outdoor bullet
HA60POEZ	UPOE Injector
HA60BFP	Replacement Bullet, 60 series bullet front panel
HA60WIF	Wifi dongle and USB adapter for camera configuration



Learn more  
about 60 Series  
accessories

ORDERING	
HC60WB5R2	5MP Network IR Outdoor Bullet Camera, WDR>120 dB, 1/2.8" CMOS, 2.7-13.5 mm MFZ, 4 IR LEDs, PoE+, H.265 HEVC Smart Codec, IP66 / 67 / IK10/ NEMA4X, Grey
HC60WB5R5	5MP Network IR Outdoor Bullet Camera, WDR>120 dB, 1/2.8" CMOS, 5-50 mm MFZ, 4 IR LEDs, PoE+, H.265 HEVC Smart Codec, IP66 / 67 / IK10/ NEMA4X, Grey

## DIMENSIONS



For more information,  
<https://honeywellbuildings.in>  
 Call: 1-800-103-0339  
 Email: HBT-Indiabuildings@honeywell.com

**Honeywell HBT India Buildings**  
 Unitech Trade Center, 5th Floor, Sector-43,  
 Block C, Sushant Lok Phase - I,  
 Gurgaon - 122 002

[www.honeywell.com](http://www.honeywell.com)



ONVIF and the ONVIF logo are trademarks of ONVIF Inc.  
 HEVC Advance logo is a trademark of HEVC Advance  
 Honeywell reserves the right, without notification, to  
 make changes in product design or specifications.

HSV-HC60WB5Rx-01-IN(0420)DS-Z  
 © 2020 Honeywell International Inc.

**60 SERIES**  
**HC60WB5R2/**  
**HC60WB5R5**

**Honeywell**