

# EQUIP SERIES

## H4W4GR1Y



### 4MP Network TDN Ultra Low-light WDR IR Rugged Dome Cameras



| OPERATIONAL              |                                                                                                                                                                                                                                                                                                                                                                  |                                                                                                        |
|--------------------------|------------------------------------------------------------------------------------------------------------------------------------------------------------------------------------------------------------------------------------------------------------------------------------------------------------------------------------------------------------------|--------------------------------------------------------------------------------------------------------|
| Video Standard           | NTSC / PAL                                                                                                                                                                                                                                                                                                                                                       |                                                                                                        |
| Scanning System          | Progressive                                                                                                                                                                                                                                                                                                                                                      |                                                                                                        |
| Image Sensor             | 1/3" 4 Megapixel progressive scan CMOS                                                                                                                                                                                                                                                                                                                           |                                                                                                        |
| Number Of Pixels (H x V) | 4MP (2560 x 1440 / 2688 x 1520)                                                                                                                                                                                                                                                                                                                                  |                                                                                                        |
| Minimum Illumination     | 0.002 Lux (color), 0.0002 Lux (B/W) @ F1.6, 0 Lux (IR on)                                                                                                                                                                                                                                                                                                        |                                                                                                        |
| S/N Ratio                | >50 dB                                                                                                                                                                                                                                                                                                                                                           |                                                                                                        |
| Electronic Shutter Speed | Auto/Manual, 1/3~1/100000s                                                                                                                                                                                                                                                                                                                                       |                                                                                                        |
| IR Distance              | 60m                                                                                                                                                                                                                                                                                                                                                              |                                                                                                        |
| IR Light Control         | Auto / Manual / Zoom Priority / Off                                                                                                                                                                                                                                                                                                                              |                                                                                                        |
| IR Light Number          | 3                                                                                                                                                                                                                                                                                                                                                                |                                                                                                        |
| Day/Night                | Auto(ICR)/Color/B/W                                                                                                                                                                                                                                                                                                                                              |                                                                                                        |
| Backlight Compensation   | BLC / HLC / WDR / SAC                                                                                                                                                                                                                                                                                                                                            |                                                                                                        |
| Wide Dynamic Range       | 140 dB                                                                                                                                                                                                                                                                                                                                                           |                                                                                                        |
| White Balance            | Auto/Natural/Street Lamp/Outdoor/Manual/Customize Region                                                                                                                                                                                                                                                                                                         |                                                                                                        |
| Gain Control             | Auto/Manual                                                                                                                                                                                                                                                                                                                                                      |                                                                                                        |
| Noise Reduction          | 3DNR                                                                                                                                                                                                                                                                                                                                                             |                                                                                                        |
| Privacy Masking          | 4 configurable windows                                                                                                                                                                                                                                                                                                                                           |                                                                                                        |
| Defog                    | Auto/Manual/Off                                                                                                                                                                                                                                                                                                                                                  |                                                                                                        |
| Lens                     | 2.7-13.5 mm MFZ, DC IRIS, optical zoom 5x lens F1.6                                                                                                                                                                                                                                                                                                              |                                                                                                        |
| Angle Of View            | H: 103° - 34°, V: 54° - 18°                                                                                                                                                                                                                                                                                                                                      |                                                                                                        |
| Alarm Input/Output       | 2 In / 1 Out                                                                                                                                                                                                                                                                                                                                                     |                                                                                                        |
| Analog Output Support    | Support                                                                                                                                                                                                                                                                                                                                                          |                                                                                                        |
| VIDEO                    |                                                                                                                                                                                                                                                                                                                                                                  |                                                                                                        |
| Video Compression        | H.265, H.264, Smart codec; MJPEG                                                                                                                                                                                                                                                                                                                                 |                                                                                                        |
| Resolution               | Main Stream                                                                                                                                                                                                                                                                                                                                                      | 4M (2688 x 1520)/(2560 x 1440)/3M (2304 x 1296)/1080p (1920 x 1080)/1.3M (1280 x 960)/720p(1280 x 720) |
|                          | Sub Stream 1                                                                                                                                                                                                                                                                                                                                                     | D1(PAL:704 x 576/NTSC: 704 x 480)/VGA(640 x 480)/CIF(PAL:352 x 288 / NTSC: 352 x 240)/(320 x 180)      |
|                          | Sub Stream 2                                                                                                                                                                                                                                                                                                                                                     | 4M(2688 x 1520/2560 x 1440)/ 1080P(1920x1080)/720P(1280 x 720)/ D1(PAL:704 x 576/NTSC: 704 x 480)      |
| Frame Rate               | Main Stream: 4M(1~30 fps)<br>Sub Stream:D1(1~30 fps)<br>Third Stream:4M(1~30 fps)<br>Simultaneous with 3 Streams above                                                                                                                                                                                                                                           |                                                                                                        |
| Bit Rate                 | 96K~8192 Kbps                                                                                                                                                                                                                                                                                                                                                    |                                                                                                        |
| Analytics                | Advanced Analytics (Powered by AI) : Tripwire, Intrusion, Fast-Moving, Abandoned Object, Parking Detection, Crowd Gathering Estimation, Missing Object, Loitering Detection, SMD, Face Detection, People Counting, Heatmap<br>Traditional Analytics: Motion Detection, Video Tampering, Scene Changing, SD Card Error, SD Card Capacity Warning, Audio Detection |                                                                                                        |
| AUDIO                    |                                                                                                                                                                                                                                                                                                                                                                  |                                                                                                        |
| Audio Compression        | G.711a/ G.711Mu/ AAC/G.726                                                                                                                                                                                                                                                                                                                                       |                                                                                                        |
| Audio Stream             | Full duplex, simplex                                                                                                                                                                                                                                                                                                                                             |                                                                                                        |
| Audio Interface          | 1 In; 1 Out                                                                                                                                                                                                                                                                                                                                                      |                                                                                                        |
| Audio/Two-Way            | Line In/Out                                                                                                                                                                                                                                                                                                                                                      |                                                                                                        |

| NETWORK                |                                                                                                                                                                                                                                                                         |
|------------------------|-------------------------------------------------------------------------------------------------------------------------------------------------------------------------------------------------------------------------------------------------------------------------|
| Ethernet               | RJ-45 (10/100 Base-T)                                                                                                                                                                                                                                                   |
| Supported Web Browsers | IE, Chrome, Firefox                                                                                                                                                                                                                                                     |
| Supported OS           | Windows® 7 32-bit/64-bit; Windows® 10 32-bit/64-bit                                                                                                                                                                                                                     |
| Supported Protocols*   | HTTP; HTTPS; TCP; ARP; RTSP; RTP; UDP; SMTP;SFTP; NAS; DHCP; DNS; PPPoE; IPv4/v6; QoS;UPnP;NTP; Bonjour; 802.1x; Multicast; ICMP;SNMP                                                                                                                                   |
| Interoperability       | ONVIF Profile S, G and Q and T                                                                                                                                                                                                                                          |
| Maximum Users Access   | 20 users                                                                                                                                                                                                                                                                |
| Security               | User account and password protection HTTPS, IP Filter, IEEE 802.1x, Digest authentication, User access log, TLS1.2, AES-256, SSH/Telnet closed, FTP disabled, PCI-DSS compliance                                                                                        |
| Built-In Alarm & Event | <b>Event Type:</b> Motion Detection/Video Tampering/Scene Changing/SD Card Error/SD Card Capacity Warning/Audio Detection/Face Detection/People Counting/IVS<br><b>Event Linkage:</b> Recording on SD card, Relay output, Email, Snapshot<br><b>Event Output:</b> ONVIF |
| Micro SD               | Micro SD card up to256 GB                                                                                                                                                                                                                                               |
| Micro SD Function      | Event trigger recording Continuous and scheduled recording Automatic recording when network fails                                                                                                                                                                       |
| Languages Supported    | English, Arabic, Czech, Dutch, French, German,Italian, Japanese, Korean, Polish, Portuguese, Russian,Simplified Chinese, Spanish, Turkish                                                                                                                               |
| ELECTRICAL             |                                                                                                                                                                                                                                                                         |
| Power Supply           | PoE+ (802.3 at) Class 4/12 VDC/24 VAC                                                                                                                                                                                                                                   |
| Power Consumption      | Max 24W (Heater On)                                                                                                                                                                                                                                                     |
| Power Output           | 2.0W , DC12V (+/-5%)                                                                                                                                                                                                                                                    |
| MECHANICAL             |                                                                                                                                                                                                                                                                         |
| Dimensions             | Ø159.0 mm x 118.0 mm(Ø6.2" x 4.6")                                                                                                                                                                                                                                      |
| Product Weight         | 1.12 kg(2.47 lb )                                                                                                                                                                                                                                                       |
| Package Weight         | 2.00 kg (4.40 lb)                                                                                                                                                                                                                                                       |
| Construction           | Die-cast aluminum housing with powder coat                                                                                                                                                                                                                              |
| Construction Color     | RAL 9003 (White)                                                                                                                                                                                                                                                        |
| ENVIRONMENTAL          |                                                                                                                                                                                                                                                                         |
| Operating Temperature  | -40°F to 140°F (-40°C to 60°C)                                                                                                                                                                                                                                          |
| Relative Humidity      | 0% to 95%, non-condensing                                                                                                                                                                                                                                               |
| Ingress Protection     | IP67                                                                                                                                                                                                                                                                    |
| Impact Resistance      | IK10                                                                                                                                                                                                                                                                    |
| Gore Vents             | Yes                                                                                                                                                                                                                                                                     |
| Heater                 | Supported                                                                                                                                                                                                                                                               |
| REGULATORY             |                                                                                                                                                                                                                                                                         |
| Emissions              | FCC Part 15, CE (EN 55032); Complies with RCM; Complies with UKCA                                                                                                                                                                                                       |
| Immunity               | CE (EN 50130-4); Complies with UKCA                                                                                                                                                                                                                                     |
| Safety                 | North America UL Listed to UL/CSA 62368-1, CE (EN 62368-1); Complies with UKCA                                                                                                                                                                                          |
| RoHS                   | IEC 63000                                                                                                                                                                                                                                                               |

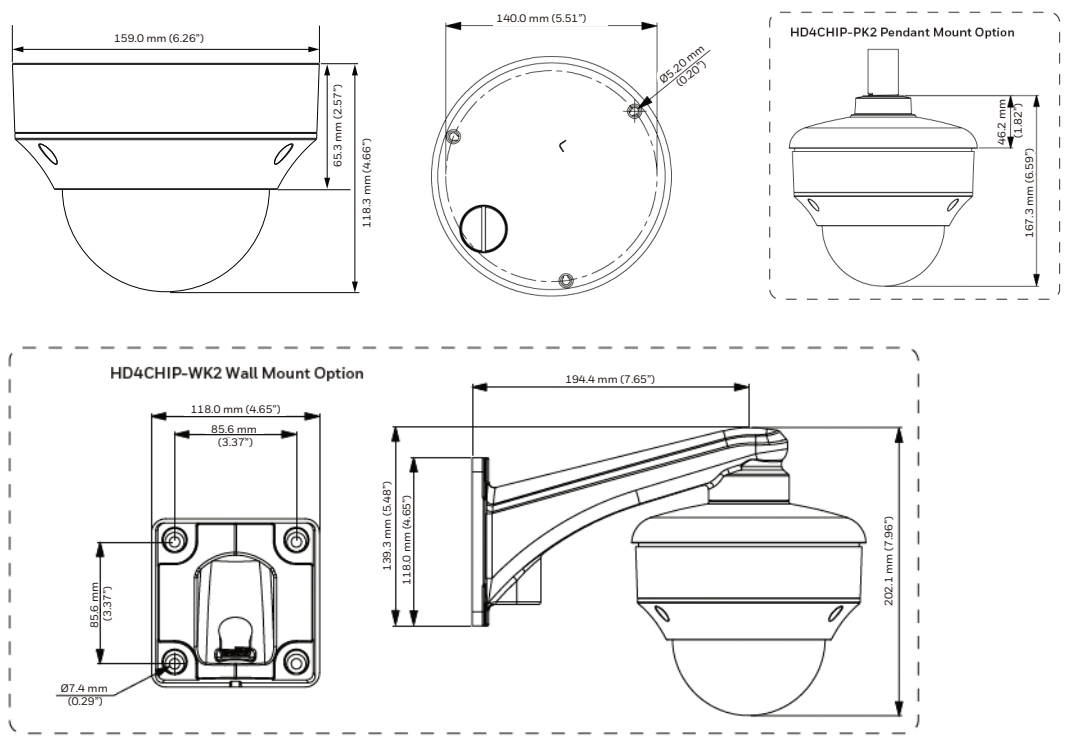
\* Some development may be required in specific user cases to support some of these protocols in the field as they mature over time.

# EQUIP SERIES 4MP NETWORK TDN ULTRA LOW-LIGHT WDR IR RUGGED DOME CAMERAS

| SYSTEM COMPATIBILITY |                                                              | OPTIONAL MOUNTS AND ACCESSORIES |                             |
|----------------------|--------------------------------------------------------------|---------------------------------|-----------------------------|
| Pro-Watch NVR        | Up to 256 IP Channels RAID5/6 Enterprise NVR                 | HA60PLMZ                        | Pole Mount Adapter          |
| Maxpro NVR PE        | Up to 128 IP Channels Raid5/6 Enterprise NVR                 | HA60CNMZ                        | Corner Mount Adapter        |
| Maxpro NVR SE        | Up to 64 IP Channels System NVR                              | HA60PMC4                        | Pendant Mount Adapter, NPT  |
| Maxpro NVR Software  | Up to 128 IP Channels Recording Software                     | H4G-PK                          | Pendant Mount Adapter, G1.5 |
| HEN*4                | 8/16/32/64-Channel Performance Series NVRs (H.264 and H.265) | HA60WLM4                        | Wall Mount Bracket          |
| Honeywell DVM        | Supported with Honeywell DVM R700                            | H4G-CB                          | Replacement Dome (Clear)    |
| HEN*3V               | 4/8/16 Channel Embedded NVRs                                 | H4G-SB                          | Replacement Dome (Smoke)    |
| 30 Series NVR        | Integration with 30 Series NVR                               | HPOE3X                          | 3X POE Switch               |
|                      |                                                              | HLR1001                         | IP over Coax Converter      |

| ORDERING |                                                                                                                          |
|----------|--------------------------------------------------------------------------------------------------------------------------|
| H4W4GR1Y | 4MP Network Ultra Low-light Rugged Dome Camera, TDN, 1/3" CMOS, 2.7-13.5mm MFZ lens, 140dB WDR, H.265/ Smart Codec, POE+ |

## DIMENSIONS



**For more information**  
[www.honeywellbuildings.in](http://www.honeywellbuildings.in)  
 Tel : 000-8000-502167  
 Email: HBT-IndiaBuildings@Honeywell.com

**Honeywell HBT India Buildings**  
 Unitech Trade Center, 5th Floor, Sector-43,  
 Block C, Sushant Lok Phase - I,  
 Gurgaon - 122 002.



ONVIF and the ONVIF logo are trademarks of ONVIF Inc.  
 HEVC Advance logo is a trademark of HEVC Advance  
 Honeywell reserves the right, without notification, to  
 make changes in product design or specifications.

HSV-H4W4GR1Y-01-IND(1221)DS-Y  
 © 2021 Honeywell International Inc.

