

# HN-~~PHP~~30A

## I Horn Loudspeaker

HN-~~PHP~~30A/ is a 30W full range horn loudspeaker for high Power handling and reliability. Taps on the primary winding allow different power setting. Housing is made of sturdy ABS fire resistance material with strength and low weight. With its the aesthetical and style design, it can be installed in various applications such as train station, harbors, plaza, police station government administration, tourist destinations, educational institute, transport hubs, and office building. The horn is attached with strong and adjustable mounting brackets which help to accurately direct the sound beam. The loudspeaker is CE complied.



## ABOUT THE PRODUCT

The speaker is fully made with ABS in glossy finish.

## CERTIFICATIONS AND APPROVAL

CE Complied/IP 66

## FEATURES AND BENEFIT



**HIGH IMPACT FIRE  
RESISTANCE ABS MATERIAL**



**LOWER  
MAINTENANCE COST**



**RUST & CHEMICAL  
RESISTANT**



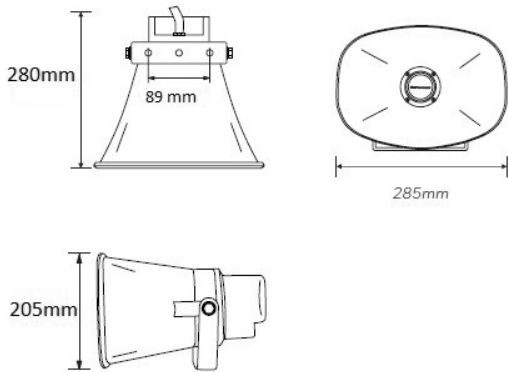
**WATER AND DUST  
PROTECTED IP 66**

## INSTALLATION DETAILS/DIMENSIONS

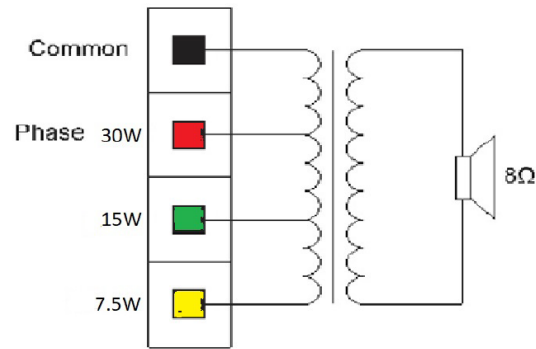
HN-~~PHP~~30A/ is a horn loudspeaker which can be Used to easily adjustable mounting brackets in any Surface to accurately direct the sound beam. It has Three power tapping (30/15/7.5W) with built in 100V transformer.

# DIMENSIONS

## THREE-VIEW DIAGRAM



## Circuit Diagram:



# TECHNICAL SPECIFICATIONS

## SYSTEM PERFORMANCE

Frequency Range (-10dB)	350Hz – 8 kHz
Nominal Dispersion	140° (H) X 60° (V)
Rated Impedance	333 Ω at 30 W
Long-Term Power Handling	30 W (45W peak)
Sensitivity (SPL / 1 W @1m)	106 Db SPL
Maximum SPL @1m4	118 dB SPL
Rated Input Voltage	100V/70V
Transformer Taps (100V)	30W / 15W / 7.5W

## PHYSIC

Enclosure	PC/ABS
Environmental	Outdoor uses/ IP 66
Operating Temperature	-25° C to 55° C
Storage Temperature	-40° C to 70° C
Relative Humidity	<95%
Connectors	4 CORE Flexible Wire having 4 connection of Com, 30W, 15W, & 7.5W
Suspension/Mounting	U Shape mounting clamp is fixed in speaker and can be mount easily on any wall with 3 holes in clamp.
Dimensions	Length- 285mm Width- 205mm Height- 280 mm
Colour	White( RAL 9003)
Net Weight	(1.8kg)
Shipping Weight	(2.3kg) Gross weight with packing

### For more information,

www.honeywellbuildings.in  
 Call: 000-8000-502167  
 Email: HBT-IndiaBuildings@Honeywell.com

### Honeywell HBT India Buildings

Unitech Trade Center, 5th Floor, Sector-43,  
 Block C, Sushant Lok Phase - I,  
 Gurgaon - 122 002.

HN-PHP30A | 01 | 09/21  
 © 2021 Honeywell International Inc.

**THE  
 FUTURE  
 IS  
 WHAT  
 WE  
 MAKE IT**

**Honeywell**