

6 MP Indoor/Outdoor Fisheye IR IP Cameras

HFD6GR1

Honeywell is taking quality and reliability to the next level with the new equip[®] line of fisheye IP cameras. The Honeywell outdoor TDN superior HD IR fisheye cameras offer incomparable picture clarity, an incredibly wide coverage area, hassle-free flexible system integration, and secure data transmission—and they install easily too!

Superior Image Quality

- Full HD 6 megapixel 25/30 fps image with a 1/1.8" 6 megapixel sensor
- Digital WDR (DWDR) ensures glare-free images
- True Day/Night provides vivid color images by day and clear black-and-white images at night using a removable IR cut filter
- Image dewarping makes the fisheye output easy to view and scan for intruders
- Embedded PTZ control within the fisheye video allows users to control the part of the 360° view to focus on
- Excellent low-light performance with 3D noise reduction, saving storage and bandwidth together with H.265 Profile codec

Flexible Surveillance Solution

- 1.7 mm, F2.0, fixed fisheye lens
- H.265, H.264 and MJPEG codec, triple stream support
- IR LEDs provide up to 25 ft (8 m) of illumination in dimly lit or nighttime scenes (depending on scene reflectance)
- Smart IR technology provides even distribution of IR
- Waterproof (IP67) and IK10 impact-resistant camera housing
- -22°F to 140°F (-30°C to 60°C) working temperature
- ONVIF Profile S and G compliant
- Security features include individual signed certificates and data encryption
- Cameras can be retrofitted on many existing NVR installations without requiring additional storage

Onboard Video Storage

- Supports up to 128 GB microSDHC (Class 10) card for local video storage when network is interrupted. Card not included



Easy to Install and Use

- Built-in PoE (Power over Ethernet) eliminates separate power supply and associated wiring; 12 VDC inputs where PoE power is unavailable
- Remote configuration through web client or from the NVR
- Included accessories: security screw driver, mounting screws, mounting template, mount adapter, IR LED cover, and waterproof joint for network cable

Market Opportunities

These fully featured attractive cameras are perfect for outdoor installations that require excellent picture quality at minimal bandwidth while offering maximum protection against dust, dirt, and water. Boasting a sleek, modern design and offering the widest angle of view possible, the cameras are suited for a wide range of applications.

FEATURES AND BENEFITS

- | | | | | |
|---|--|---|---|--|
| <ul style="list-style-type: none">• 1/1.8" 6 megapixel progressive scan imager• 16x digital zoom• Digital WDR• 25 ft (8 m) IR distance, depending on scene reflectance | <ul style="list-style-type: none">• Wide horizontal angle of view at 185°• Built-in cyber security hardware chipset• Excellent low light performance with down to 0 lux BW (with IR LEDs on) | <ul style="list-style-type: none">• Up to triple stream support• 6 megapixel resolution at 25/30 fps• Onboard camera storage up to 128 GB microSD card (not included) | <ul style="list-style-type: none">• 1.7 mm, F2.0, fixed fisheye lens• Rugged outdoor housing with IP67 ingress protection rating and IK10 impact resistance rating• ONVIF profile S and G compliant | <ul style="list-style-type: none">• Global language support with 15 languages for all QIGs, Web GUI, and online help• Compliant with UL2900-1, certified by UL Cyber Assurance Program (UL CAP) |
|---|--|---|---|--|

6 MP Indoor/Outdoor Fisheye IR IP Cameras

FEATURES CONTINUED

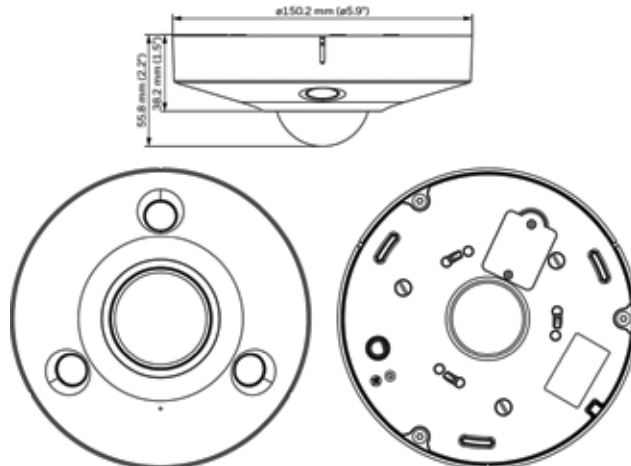
The camera can be configured to automatically detect and respond to events such as motion in the scene, alarm inputs, network failure, and/or camera tampering. Automated responses include: sending a notification through email, FTP, and/or HTTP; sending a still image of the event through email and/or FTP; and recording a video clip of the event to a configured microSDHC card. Setup can be done through the web client.



FISHEYE DISPLAY OPTIONS AND INSTALLATION MODES

	Ceiling Installation Mode		Double Panorama Image Display Mode (two 180° views in panoramic layouts)
	Wall Installation Mode		Original 360° Image with three EPTZ (virtual PTZ) Region Images of Display Mode
	Floor Installation Mode		Single Image Display Mode (displays a single view from within the 360° view)
	Original 360° Image Display Mode		Four EPTZ Region Images Display Mode
	Single Panorama Image Display Mode (360° view in a panoramic layout)		Two Vertical Panorama Images Display Mode

DIMENSIONS



6 MP Indoor/Outdoor Fisheye IR IP Cameras Technical Specifications

OPERATIONAL		
VIDEO STANDARD	NTSC/PAL	
SCANNING SYSTEM	Progressive scan	
IMAGE SENSOR	1/1.8" 6 MP progressive CMOS	
NUMBER OF PIXELS (H × V)	3072 × 2048	
MINIMUM ILLUMINATION	0.01 lux color/0 lux B/W with IR LEDs on @ F2.0	
S/N RATIO	50 dB	
ELECTRONIC SHUTTER SPEED	Auto, Manual, 1/3(4) – 1/100,000 s	
IR DISTANCE	Up to 25 ft. (8 m), depending on scene reflectance	
IR LIGHT CONTROL	Smart IR/Manual/Off	
DAY/NIGHT	Auto (ICR)/Color/BW	
BACKLIGHT COMPENSATION	BLC/HLC/DWDR	
WIDE DYNAMIC RANGE	Digital WDR (DWDR)	
WHITE BALANCE	Auto/Natural/Street Lamp/Outdoor/Customize Region	
GAIN CONTROL	Auto/Manual	
NOISE REDUCTION	3DNR	
PRIVACY MASKING	Up to 4 configurable areas	
CORRIDOR MODE	Yes	
FOCUS MODE	Manual	
LENS	1.7 mm, fixed fisheye lens, F2.0	
ANGLE OF VIEW	Horizontal: 185°	
AUDIO/TWO-WAY	Line In/Out, 1 built-in mic	
ALARM INPUT/OUTPUT	2/2	
ETHERNET	RJ-45 (10/100/1000Base-T)	
IP SPECIFICATIONS		
VIDEO COMPRESSION	H.265/H.264/MJPEG Bit rate control (CBR and VBR)	
RESOLUTION	4:3	3M (2048×1536)/UXGA (1600×1200)/1.3M (1280×960)
	OTHER	6M (3072×2048)/ 4M (2048×2048)/ D1 (704×576/704×480)/ CIF (352×288/352×240)
FRAME RATE	MAIN STREAM	6M (3072×2048)/ 4M (2048×2048)/3M (2048×1536)/UXGA (1600×1200) at up to 25/30 fps
	SUB STREAM	D1/CIF up to 25/30 fps
	THIRD STREAM	1.3M/D1 up to 25/30 fps
DEWARPING MODE	Original, Panoramic, Double Panoramic, 1+3 EPTZ, 4 Pictures, 2 Pictures, Single	
AUDIO COMPRESSION	G.711a/G.711Mu/AAC/G.726/MPEG2-Layer2/G.722.1/G.729	
AUDIO STREAM	Full duplex, simplex	
SUPPORTED WEB BROWSERS	Internet Explorer® (11.0+), Firefox, Chrome	
SUPPORTED OS	Windows® 7 32-bit/64-bit, Windows 10	

IP SPECIFICATIONS (CONT)	
SUPPORTED PROTOCOLS*	IPv4/v6, TCP/IP, UDP, RTP, RTSP, HTTP, HTTPS, SSL, ICMP, FTP, SMTP, DHCP, PPPoE, UPnP, IGMP, SNMP, Bonjour, DNS, DDNS, IEEE 802.1x, QoS, NTP, IP Filter, Multicast, ONVIF
COMPATIBILITY	ONVIF Profile S and G
MAXIMUM USERS ACCESS	20 users
SECURITY	User account and password protection, HTTPS, IP Filter, IEEE 802.1x, digest authentication, user access log, TLS1.2, AES-256, SSH/Telnet closed, FTP disabled, PCI-DSS, built-in crypto chipset, UL2900-1, UL Cyber Assurance Program (UL CAP) certification
MICRO SD	Up to 128 GB microSDHC card, Class 10 (not included)
MICRO SD FUNCTION	<ul style="list-style-type: none"> Event trigger recording Continuous and scheduled recording Automatic recording when network fails
LANGUAGES SUPPORTED	English, Arabic, Czech, Dutch, French, German, Italian, Japanese, Korean, Polish, Portuguese, Russian, Simplified Chinese, Spanish, Turkish
ELECTRICAL	
POWER SUPPLY	PoE (802.3af) Class 0, 12 VDC
POWER CONSUMPTION	10 W max. (IR LEDs on)
MECHANICAL	
DIMENSIONS	Ø5.9" × 2.2" (Ø150.2 mm × 55.8 mm)
PRODUCT WEIGHT	1.1 lb. (0.5 kg)
CONSTRUCTION	Die-cast aluminum housing with powder coat
CONSTRUCTION COLOR	RAL 9003 (White)
ENVIRONMENTAL	
OPERATING TEMPERATURE	-22°F to 140°F (-30°C to 60°C)
RELATIVE HUMIDITY	Less than 95%, non-condensing
INGRESS PROTECTION	IP67
IMPACT RESISTANCE	IK10
REGULATORY	
EMISSIONS	EN55032, FCC Part 15B, AS/NZS CISPR 22:2009+A1 (2010)
IMMUNITY	EN50130-4
SAFETY	EU: EN60950-1 North America UL listed to UL/CSA 60950-1
ROHS	EN50581

* Some development may be required in specific user cases to support some of these protocols in the field as they mature over time.

6 MP Indoor/Outdoor Fisheye IR IP Cameras

RECOMMENDED ACCESSORIES

SYSTEM INTEGRATION		HOUSING AND MOUNTS		
ONVIF support and open API software integration. Refer to www.onvif.org for the ONVIF specification and the Honeywell Open Technology Alliance website (http://www.security.honeywell.com/hota/) to learn more about our open and integrated solutions.		HB4G-PM		Pole Mount Adapter
HONEYWELL DEVICE INTEGRATION		HB34G-CM		Corner Mount Adapter
MAXPRO® NVR FAMILY	Entry to Enterprise Level Network Video Recorders (version 4.0 and greater)	HFG-WK		Wall Mount Bracket
MAXPRO® VMS FAMILY	Entry to Enterprise Level Network Video VMS (version R410 and greater)	HFG-PK		Pendant Mount Bracket
DVM	DVM R600.1 SP1			
HUS	HUS 5.1			

ORDERING

HFD6GR1	Network TDN Superior HD IR Rugged Fisheye Camera, 1/1.8" CMOS, 6 MP, 1.7 mm Fixed Fisheye Lens, PoE, H.265
---------	--

For more information

www.honeywell.com/security

Honeywell Security and Fire

2700 Blankenbaker Pkwy, Suite 150
Louisville, KY 40299
1.800.323.4576
www.honeywell.com

ONVIF and the ONVIF logo are trademarks of ONVIF Inc. Honeywell reserves the right, without notification, to make changes in product design or specifications.

L/HFD6GR1D/D | 12/18
© 2018 Honeywell International Inc.

Honeywell