

# EQUIP® SERIES

## HCL2GV/HCW2GV

2MP Network TDN Low-Light WDR Box Cameras



OPERATIONAL		
VIDEO STANDARD	NTSC/PAL	
SCANNING SYSTEM	Progressive scan	
IMAGE SENSOR	1/2.8" 2 Megapixel progressive scan CMOS	
NUMBER OF PIXELS (H × V)	2MP - 1920x1080	
MINIMUM ILLUMINATION	Color: 0.001Lux @f/1.6, B/W: 0.001Lux @f/1.6	
S/N RATIO	50 db minimum	
ELECTRONIC SHUTTER SPEED	Auto/Manual, 1/3-1/100000s	
DAY/NIGHT	Mechanical ICR (ON / OFF / AUTO selectable)	
BACKLIGHT COMPENSATION	BLC / HLC / WDR / SSA	
DYNAMIC RANGE WIDTH	140dB	
WHITE BALANCE	Auto/Natural/Street Lamp/Outdoor/Manual/Customize Region	
GAIN CONTROL	Auto/Manual	
NOISE REDUCTION	3D Noise Reduction (ON / OFF selectable)	
PRIVACY MASKING	Up to 4 configurable areas	
ELECTRONIC IMAGE STABILIZATION	Not supported	
DEFOG	Auto/Manual/Off	
LENS	Option, support DC-Iris	
AUDIO/TWO-WAY	Line In/Out, 1 built-in Mic	
ALARM INPUT/OUTPUT	2 in / 1 out	
ANALOG OUTPUT SUPPORT	Supported	
ETHERNET	RJ-45 (10/100Base-T)	
IP SPECIFICATIONS		
VIDEO COMPRESSION	H.265, H.264 and MJPEG bit rate control (CBR and VBR)	
RESOLUTION	16:9	1080p (1920×1080)/ 720p (1280×720)
	4:3	1.3M (1280×960)/VGA (640×480)
	OTHER	D1 (704×576/704×480)/ CIF (352×288/352×240)
FRAME RATE	MAIN STREAM	1080P (1-50/60fps)
	SUB STREAM	D1 (1-50/60fps)
	THIRD STREAM	1080P (1-25/30fps)
		<b>HCW2GV:</b> Simultaneous Main stream and Third stream at 1080P ((Main stream +Third stream <=68fps)) <b>HCL2GV:</b> Simultaneous Main stream and Third stream at 1080P (Main stream at 50/60fps, Third stream at 50/60fps)
AUDIO COMPRESSION	G.711a/ G.711Mu/ AAC/G.726	
AUDIO STREAM	Full duplex, simplex	
SUPPORTED WEB BROWSERS	IE11/Chrome/Firefox	
SUPPORTED OS	Windows® 7 32-bit/64-bit	
SUPPORTED PROTOCOLS <sup>(2)</sup>		<b>HCW2GV:</b> HTTP; HTTPS; TCP; ARP; RTSP; RTP; UDP; SMTP; FTP; DHCP; DNS; DDNS; PPPoE; IPv4/v6; QoS; UPnP; NTP; Bonjour; 802.1x; Multicast; ICMP; SNMP
		<b>HCL2GV:</b> HTTP; HTTPS; TCP; ARP; RTSP; RTP; UDP; SMTP; FTP; DHCP; DNS; DDNS; PPPoE; IPv4/v6; QoS; UPnP; NTP; Bonjour; 802.1x; Multicast; ICMP; SNMP

IP SPECIFICATIONS (CONT.)	
COMPATIBILITY <sup>(1)</sup>	<b>HCW2GV:</b> Onvif Profiles S / G / Q / T <b>HCL2GV:</b> Onvif Profiles S / G / Q
MAXIMUM USERS ACCESS	20 users
SECURITY	User account and password protection HTTPS, IP Filter, IEEE 802.1x, Digest authentication, User access log, TLS1.2, AES-256, SSH/Telnet closed, FTP disabled, PCI-DSS compliance, Hardware chipset for private key
ONBOARD VIDEO ANALYTICS EVENT	<b>HCW2GV:</b> Motion Detection/Video Tampering/Face Detection/SD Card Error/SD Card Capacity Warning/Audio Detection/Tripwire/Intrusion/Object Abandoned/Object Missing <b>HCL2GV:</b> Motion Detection/Video Tampering/Face Detection/SD Card Error/SD Card Capacity Warning/Audio Detection/Object Abandoned/Object Missing/People counting
EVENT NOTIFICATION	Record (SD card and FTP), Relay output, Email, Snapshot
INTELLIGENT ANALYTICS	<b>HCW2GV:</b> NA <b>HCL2GV:</b> Intrusion, Loiter, Tripwire
MICRO SD	Micro SDHC Capacity Max 32GB Micro SDXC Capacity Max 1.28TB
MICRO SD FUNCTION	<ul style="list-style-type: none"> <li>Event trigger recording</li> <li>Continuous and scheduled recording</li> <li>Automatic recording when network fails</li> </ul>
LANGUAGES SUPPORTED	English, Arabic, Czech, Dutch, French, German, Italian, Japanese, Korean, Polish, Portuguese, Russian, Simplified Chinese, Spanish, Turkish
ELECTRICAL	
POWER SUPPLY	PoE/12VDC/24VAC
LONG DISTANCE POE SUPPORT	3X POE (300m)
AC FREQUENCY	50/60 Hz
POWER CONSUMPTION	<b>HCW2GV:</b> Max 10W <b>HCL2GV:</b> Max 9.5W
AUXILIARY POWER SUPPLY	2.0W, DC12V (+/-5%)
MECHANICAL	
DIMENSIONS	125.0×75.8×69.0 mm (4.92×2.98×2.72 in.)
WEIGHT	<b>HCW2GV:</b> Product weight: 535g (1.18lb); Package Weight: 756g (1.67lb) <b>HCL2GV:</b> Product weight: 534g (1.18lb); Package Weight: 755g (1.66lb)
CONSTRUCTION	Die-cast aluminum housing with powder coat
CONSTRUCTION COLOUR	RAL 9003 (White) and RAL 7022 (Grey)
ENVIRONMENTAL	
OPERATING TEMPERATURE	-30°C to 60°C (-22°F to 140°F)
RELATIVE HUMIDITY	0% to 95%, non-condensing
REGULATORY	
EMISSIONS	FCC Part 15, CE (EN 55022); Complies with RCM (AS/NZS)
IMMUNITY	CE (EN 50130-4)
SAFETY	North America UL Listed to UL/CSA 60950-1, CE (EN 60950-1)
ROHS	EN50581

(1) Profile T only on HCW2GV model

(2) Some development may be required in specific user cases to support some of these protocols in the field as they mature over time.

# EQUIP 2MP IP TDN LOW-LIGHT WDR BOX CAMERAS

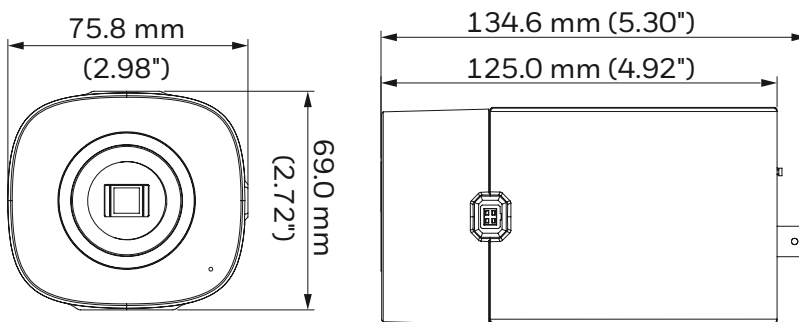
## RECOMMENDED ACCESSORIES

SYSTEM INTEGRATION		HOUSING AND MOUNTS	
<p>ONVIF support and open API software integration. Refer to <a href="http://www.onvif.org">www.onvif.org</a> for the ONVIF specification and the Honeywell Open Technology Alliance website (<a href="http://www.security.honeywell.com/hota/">http://www.security.honeywell.com/hota/</a>) to learn more about our open and integrated solutions.</p>		<p>HLM37V16MPD</p>	 <p>12 Megapixel 4K, 3.7 – 16 mm Lens</p>
<p><b>HONEYWELL DEVICE INTEGRATION</b></p>		<p>HLM27V12MPD</p>	 <p>4 MP, 1/2.7", F1.6, 2.7 – 12.0 mm CS Lens</p>
<p><b>MAXPRO® / PRO-WATCH® NVRS</b></p>	<p>Entry to Enterprise Level Network Video Recorders (version 4.50 and greater)</p>	<p>HBC5WT-2</p>	 <p>Box Camera Wall Mount</p>
<p><b>MAXPRO® / PRO-WATCH® VMS FAMILY</b></p>	<p>Entry to Enterprise Level Network Video VMS (version R450 and greater)</p>		

## ORDERING

HCL2GV	Network TDN Low Light WDR Box Camera, 1/2.8" 2 Megapixel progressive scan CMOS, PoE, H.265.
HCW2GV	Network TDN WDR Box Camera, 1/2.8" 2 Megapixel progressive scan CMOS, PoE, H.265.

## DIMENSIONS



### For more information

[www.security.honeywell.com/uk](http://www.security.honeywell.com/uk)  
[www.security.honeywell.com/me](http://www.security.honeywell.com/me)

### Honeywell Commercial Security

Honeywell Security Office -  
 Emaar Business Park,  
 Sheikh Zayed Road  
 Building No. 2, 2nd floor, 201  
 Post Office Box 232362  
 Dubai, United Arab Emirates  
 Tel: +971 4 450 5800

Aston Fields Road  
 Whitehouse Industrial Estate  
 Runcorn, Cheshire, WA7 3DL  
 United Kingdom  
 Tel: +44 (0)8448 000 235  
[www.honeywell.com](http://www.honeywell.com)

ONVIF and the ONVIF logo are trademarks of ONVIF Inc. Honeywell reserves the right, without notification, to make changes in product design or specifications.

HSV-HCx2GV-02-EN(1020)DS-Z  
 © 2020 Honeywell International Inc.

**Honeywell**