

HBW2GR3V/HBW2GR1V/HBL2GR1V/ HBW4GR1V

Network TDN Low-Light WDR 2MP/4MP IR Rugged Bullet



HD ONVIF*1 S G Q

OPERATIONAL		IP SPECIFICATIONS		
VIDEO STANDARD	NTSC/PAL	MAIN STREAM	HBW2GR3V, HBW2GR1V, HBL2GR1V: 1080P (1~50/60fps WDR off) HBW4GR1V: 4M (1~25/30fps)	
SCANNING SYSTEM	Progressive scan		SUB STREAM	HBW2GR3V, HBW2GR1V, HBL2GR1V: D1 (1~50/60fps WDR off) HBW4GR1V: D1 (1~25/30fps)
IMAGE SENSOR	HBW2GR3V, HBW2GR1V, HBL2GR1V: 1/2.8" 2Megapixel progressive scan CMOS HBW4GR1V: 1/3" 4 Megapixel progressive scan CMOS	FRAME RATE		HBW2GR3V, HBW2GR1V: 1080P (1-25/30fps) HBL2GR1V: 1080P (1-50/60fps WDR off) HBW4GR1V: 4M (1~25/30fps)
NUMBER OF PIXELS (H × V)	HBW2GR3V, HBW2GR1V, HBL2GR1V: 2MP - 1920x1080 HBW4GR1V: 4MP - 2560x1440/2688x1520		THIRD STREAM	HBW2GR3V, HBW2GR1V: Simultaneous Main stream and Third stream at 1080P (Main stream +Third stream <=68fps, WDR off, 2nd stream off) HBL2GR1V: Simultaneous Main stream and Third stream at 1080P (Main stream at 50/60fps WDR off, Third stream at 50/60fps WDR off) HBW4GR1V: Simultaneous Main stream and Third stream at 4MP (Main stream +Third stream <=34fps, 2nd stream off)
MINIMUM ILLUMINATION	HBW2GR3V, HBW2GR1V, HBL2GR1V: Color: 0.001Lux @f/1.6, B/W: 0Lux @f/1.6(IR on) HBW4GR1V: Color: 0.01Lux @f/1.6, B/W: 0Lux @f/1.6(IR on)	AUDIO COMPRESSION		G.711a/ G.711Mu/ AAC/G.726
S/N RATIO	50db minimum	AUDIO STREAM	Full duplex, simplex	
ELECTRONIC SHUTTER SPEED	Auto/Manual, 1/3(4)~1/100000s	SUPPORTED WEB BROWSERS	IE11/Chrome(with application)/Firefox(earlier than 52.0 version)	
IR DISTANCE	60m	SUPPORTED OS	Windows® 7 32-bit/64-bit; Windows® 10 32-bit/64-bit	
DAY/NIGHT	Mechanical ICR (ON / OFF / AUTO selectable)	SUPPORTED PROTOCOLS*	HTTP; HTTPS; TCP; ARP; RTSP; RTP; UDP; SMTP; FTP; DHCP; DNS; DDNS; PPPOE; IPv4/v6; QoS; UPnP; NTP; Bonjour; 802.1x; Multicast; ICMP; SNMP	
BACKLIGHT COMPENSATION	BLC / HLC / WDR / SAC (Scene Adaptive Control)	COMPATIBILITY	ONVIF Profile S, G and Q	
WIDE DYNAMIC RANGE (WDR)	HBL2GR1V: 140dB (50/60fps off) HBW2GR1V, HBW2GR3V, HBW4GR1V: 120dB (50/60fps off)	MAXIMUM USERS ACCESS	20 users	
WHITE BALANCE	Auto/Natural/Street Lamp/Outdoor/Manual/Customize Region	SECURITY	User account and password protection HTTPS, IP Filter, IEEE 802.1x, Digest authentication, User access log, TLS1.2, AES-256, SSH/Telnet closed, FTP disabled, PCI-DSS compliance, Hardware chipset for private key	
GAIN CONTROL	Auto/Manual	HEAT MAP	HBL2GR1V: Support	
NOISE REDUCTION	3DNR	BUILT-IN ALARM & EVENT	EVENT TYPE	HBW2GR1V, HBW2GR3V, HBW4GR1V: Motion Detection/Video Tampering/Face Detection/SD Card Error/SD Card Capacity Warning/Audio Detection/ Object Abandoned/Object Missing/Tripwire/Intrusion HBL2GR1V: Motion Detection/Video Tampering/Face Detection/SD Card Error/SD Card Capacity Warning/Audio Detection/Object Abandoned/Object Missing/People counting
PRIVACY MASKING	4 configurable windows			EVENT LINKAGE
ELECTRONIC IMAGE STABILIZATION	HBW2GR3V, HBW2GR1V, HBW4GR1V: Not supported HBL2GR1V: OFF/ON	EVENT OUTPUT	ONVIF, ISOM	
DEFOG	Auto/Manual/Off	UPLOADABLE VIDEO ANALYTICS (HBL2GR1V ONLY)	BASIC	Trigger line/Intrusion/Loitering available now (Please download from www.honeywellvideo.com. Free of Charge, but please email to VAlicensing@Honeywell.com to get license.)
LENS	HBW2GR3V: 5-60mm MFZ, HALL IRIS(Extended Focal Depth), optical zoom 12x lens F1.6 HBW2GR1V, HBW4GR1V: 2.7-13.5 mm MFZ, DC IRIS, optical zoom 5x lens F1.6 HBL2GR1V: 2.7-12 mm MFZ, HALL IRIS(Extended Focal Depth), optical zoom 4x lens F1.6		ADVANCED LICENSED ANALYTICS	IntrusionTrace/LoiterTrace for advanced applications coming soon. (Need to purchase separately)
ANGLE OF VIEW	HBW2GR3V: H: 62° - 6°, V: 34° - 4° HBW2GR1V: H: 110° - 32°, V: 59° - 19° HBL2GR1V: H: 102° - 35°, V: 54° - 21° HBW4GR1V: H: 110° - 30°, V: 53° - 18°	ANALYTICS OUTPUT	ISOM event output, Metadata	
AUDIO/TWO-WAY	Line In/Out	MICRO SD	Micro SDHC Capacity Max 32GB Micro SDXC Capacity Max 128GB	
ALARM INPUT/OUTPUT	2 In / 1 Out	MICRO SD FUNCTION	Event trigger recording; Continuous and scheduled recording; Automatic recording when network fails	
ANALOG OUTPUT SUPPORT	Twin outputs (for adjustment only)	LANGUAGES SUPPORTED	English, Arabic, Czech, Dutch, French, German, Italian, Japanese, Korean, Polish, Portuguese, Russian, Simplified Chinese, Spanish, Turkish	
ETHERNET	HBW2GR3V, HBW2GR1V, HBW4GR1V: RJ-45 (10/100Base-T) HBL2GR1V: RJ-45 (100/1000Base-T)			
IP SPECIFICATIONS				
VIDEO COMPRESSION	H.265+, H.265, H.264 and MJPEG bit rate control (CBR and VBR)			
RESOLUTION	16:9	HBW2GR3V, HBW2GR1V, HBL2GR1V: 1080p (1920x1080)/ 720p (1280x720) HBW4GR1V: 3M (2304x1296)/1080p (1920x1080)/ 720p (1280x720)		
	4:3	1.3M (1280x960)/VGA (640x480) HBW2GR3V, HBW2GR1V, HBL2GR1V: D1 (704x576/704x480)/ CIF (352x288/352x240) HBW4GR1V: 4M (2688x1520)/(2560x1440)/ D1 (704x576/704x480)/ CIF (352x288/352x240)		
	OTHER			

Network TDN Low-Light WDR 2MP/4MP IR Rugged Bullet

ELECTRICAL		ENVIRONMENTAL	
POWER SUPPLY	PoE+(802.3at) Class 4/12VDC/AC24V	OPERATING TEMPERATURE	-40°F to 140°F (-40°C to 60°C)
LONG DISTANCE POE SUPPORT	3X POE (300m @100Mbps)	RELATIVE HUMIDITY	0% to 95%, non-condensing
AC FREQUENCY	50/60 Hz	GORE VENTS	Yes
POWER CONSUMPTION	HBW2GR3V: Max 17.3W ; HBW2GR1V: Max 20.5W HBL2GR1V: Max 17W HBW4GR1V: Max 17.6W	INGRESS PROTECTION	IP 67
AUXILIARY POWER SUPPLY	2.0W, DC12V (+/-5%)	IMPACT RESISTANCE	IK10
MECHANICAL		HEATER, FAN OPTION	Heater
DIMENSIONS	11.1 × 4.3 in. (281.0 × 110.0 mm)	REGULATORY	
WEIGHT	Product weight: 4.70lb (2130g) Package Weight: 6.28lb (2847g)	EMISSIONS	FCC Part 15, CE (EN 55032); Complies with RCM (AS/NZS)
CONSTRUCTION	Die-cast aluminum housing with powder coat	IMMUNITY	CE (EN 50130-4)
CONSTRUCTION COLOR	RAL 9003 (White) and RAL 7022 (Grey)	SAFETY	North America UL Listed to UL/CSA 60950-1, CE (EN 60950-1); North America UL Listed to UL/CSA 60950-22, CE (EN 60950-22)
		ROHS	EN 50581

* Some development may be required in specific user cases to support some of these protocols in the field as they mature over time.

RECOMMENDED ACCESSORIES

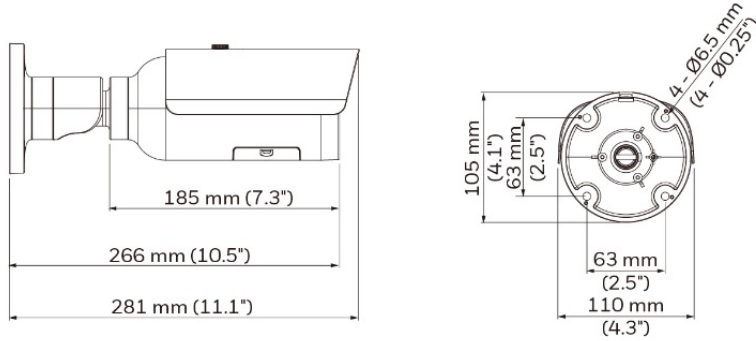
SYSTEM INTEGRATION		HOUSING AND MOUNTS	
ONVIF support and open API software integration. Refer to www.onvif.org for the ONVIF specification and the Honeywell Open Technology Alliance website (http://www.security.honeywell.com/hota/) to learn more about our open and integrated solutions.		HB4G-PM	 Pole Mount Adapter
		HB34G-CM	 Corner Mount Adapter
		HBG-BB	 IP66 Back Box with Gasket (for Cable Termination)
		HBG-FP	 Front Lens Plate Replacement (if Vandalized)
		HLR1001	 IP over Coax Converter
		HPOE3X	 3X Long Distance POE Switch

ORDERING	
HBW2GR3V	Network TDN Low Light WDR IR Bullet Camera, 1/2.8" 2 Megapixel progressive scan CMOS, 5-60 mm MFZ, 4 IR LEDs, PoE+, H.265.
HBW2GR1V	Network TDN Low Light WDR IR Bullet Camera, 1/2.8" 2 Megapixel progressive scan CMOS, 2.7-13.5 mm MFZ, 4 IR LEDs, PoE+, H.265.
HBL2GR1V	Network TDN Intelligent Ultra WDR IR Bullet Camera, 1/2.8" 2 Megapixel progressive scan CMOS, 2.7-12 mm MFZ, 4 IR LEDs, PoE+, H.265
HBW4GR1V	Network TDN WDR IR Bullet Camera, 1/3" 4 Megapixel progressive scan CMOS, 2.7-13.5 mm MFZ, 4 IR LEDs, PoE+, H.265

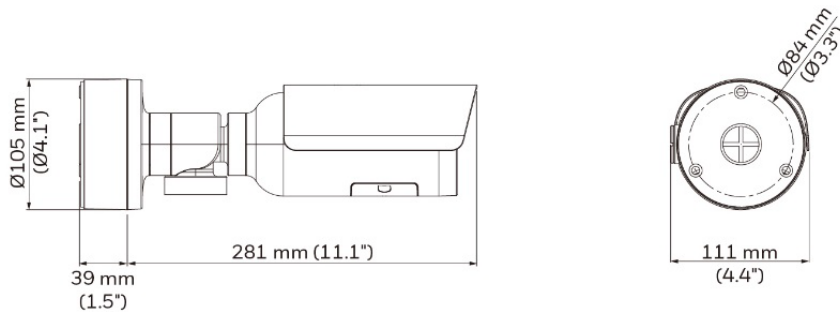
Network TDN Low-Light WDR 2MP/4MP IR Rugged Bullet

DIMENSIONS

* DIMENSIONS DRAWING SHOWS BACK BOX.



HBG-BB Back Box Mount Option



For more information

www.honeywellvideo.com

Honeywell Security and Fire

22700 Blankenbaker Pkwy, Suite 150

Louisville, KY 40299

1.800.323.4576

www.honeywell.com

ONVIF and the ONVIF logo are trademarks of ONVIF Inc. Honeywell reserves the right, without notification, to make changes in product design or specifications.

HSV-HBx2GRxV-02-US(1118)DS-Y
© 2018 Honeywell International Inc.

Honeywell