

EQUIP® CAMERAS

H3W2GR1V, H3W4GR1V



2MP/4MP Network TDN Low-Light WDR Indoor Dome



| OPERATIONAL | |
|--------------------------|---|
| VIDEO STANDARD | NTSC/PAL |
| SCANNING SYSTEM | Progressive scan |
| IMAGE SENSOR | H3W2GR1V: 1/2.8" 2Megapixel progressive scan CMOS H3W4GR1V: 1/3" 4Megapixel progressive scan CMOS |
| NUMBER OF PIXELS (H × V) | 2MP (1920x1080) - 4MP (2688x1520) |
| MINIMUM ILLUMINATION | H3W2GR1V: Color: 0.001Lux @f/1.6, B/W: 0Lux @f/1.6(IR on) H3W4GR1V: Color: 0.01Lux @f/1.6, B/W: 0Lux @f/1.6(IR on) |
| S/N RATIO | 50db minimum |
| ELECTRONIC SHUTTER SPEED | Auto/Manual, 1/3~1/100000s |
| IR DISTANCE | 20m |
| DAY/NIGHT | Mechanical ICR (ON / OFF / AUTO selectable) |
| BACKLIGHT COMPENSATION | BLC / HLC / WDR / SAC(Scene Adaptive Control) |
| WIDE DYNAMIC RANGE(WDR) | 120dB (50/60fps off) |
| WHITE BALANCE | Auto/Natural/Street Lamp/Outdoor/Manual/Customize Region |
| GAIN CONTROL | Auto/Manual |
| NOISE REDUCTION | 3D Noise Reduction (ON / OFF selectable) |
| PRIVACY MASKING | Up to 4 configurable areas |
| DEFOG | Auto/Manual/Off |
| LENS | 2.7-13.5 mm MFZ, DC IRIS, optical zoom 5x lens F1.6 |
| ANGLE OF VIEW | H3W2GR1V: FOV depending on different resolution H: 110° - 32°, V: 59° - 19° H3W4GR1V: FOV depending on different resolution H: 110° - 30°, V: 53° - 18° |
| AUDIO/TWO-WAY | Line In/Out, 1 built-in Mic |
| ALARM INPUT/OUTPUT | 2 In / 1 Out |
| ANALOG OUTPUT | Supported |
| ETHERNET | RJ-45 (10/100Base-T) |
| IP SPECIFICATIONS | |
| VIDEO COMPRESSION | H.265+, H.265, H.264 and MJPEG bit rate control (CBR and VBR) |
| RESOLUTION | 16:9 H3W2GR1V: 1080p (1920x1080)/ 720p (1280x720) H3W4GR1V: 3M (2304x1296)/1080p (1920x1080)/ 720p (1280x720) |
| | 4:3 1.3M (1280x960)/VGA (640x480) |
| | OTHER H3W2GR1V: D1 (704x576/704x480)/ CIF (352x288/352x240) H3W4GR1V: 4M(2688x1520)/(2560x1440), /D1 (704x576/704x480)/ CIF(352x288/352x240) |
| FRAME RATE | MAIN STREAM H3W2GR1V: 1080P(1~50/60fps WDR off) H3W4GR1V: 4M(1~25/30fps) |
| | SUB STREAM H3W2GR1V: D1(1~50/60fps WDR off) H3W4GR1V: D1(1~25/30fps) |
| | THIRD STREAM H3W2GR1V: 1080P(1~25/30fps) H3W4GR1V: 4M(1~25/30fps) |
| | H3W2GR1V: Simultaneous Main stream and Third stream at 1080P (Main stream +Third stream <=68fps, WDR off, 2nd stream off) H3W4GR1V: Simultaneous Main stream and Third stream at 4MP (Main stream +Third stream <=34fps, 2nd stream off) |
| AUDIO COMPRESSION | G.711a/ G.711Mu/ AAC/G.726 |
| AUDIO STREAM | Full duplex, simplex |

| IP SPECIFICATIONS | | |
|------------------------------------|--|--|
| SUPPORTED WEB BROWSERS | IE11/Chrome(with application)/Firefox(earlier than 52.0 version) | |
| SUPPORTED OS | Windows® 7 32-bit/64-bit; Windows® 10 32-bit/64-bit | |
| SUPPORTED PROTOCOLS ⁽²⁾ | HTTP; HTTPS; TCP; ARP; RTSP; RTP; UDP; SMTP;FTP; DHCP; DNS; DDNS; PPPoE; IPv4/v6; QoS;UPnP;NTP; Bonjour; 802.1x; Multicast; ICMP;SNMP | |
| COMPATIBILITY ⁽¹⁾ | H3W2GR1V: Onvif Profiles S / G / Q / T H3W4GR1V: Onvif Profiles S / G / Q | |
| MAXIMUM USERS ACCESS | 20 users | |
| SECURITY | User account and password protection HTTPS, IP Filter, IEEE 802.1x, Digest authentication, User access log, TLS1.2, AES-256, SSH/Telnet closed, FTP disabled, PCI-DSS compliance, Hardware chipset for private key | |
| BUILT-IN ALARM & EVENT | EVENT TYPE | Motion Detection/Video Tampering/Face Detection/SD Card Error/SD Card Capacity Warning/Audio Detection/ Object Abandoned/Object Missing/Tripwire/Intrusion |
| | EVENT LINKAGE | Recording on SD card, Relay output, Email, Snapshot |
| | EVENT OUTPUT | ONVIF, ISOM |
| MICRO SD | Micro SDHC Capacity Max 32GB Micro SDXC Capacity Max 128GB | |
| MICRO SD FUNCTION | Event trigger recording Continuous and scheduled recording Automatic recording when network fails | |
| LANGUAGES SUPPORTED | English, Arabic, Czech, Dutch, French, German, Italian, Japanese, Korean, Polish, Portuguese, Russian, Simplified Chinese, Spanish, Turkish | |
| ELECTRICAL | | |
| POWER SUPPLY | PoE(802.3af) Class 0/12VDC/24VAC | |
| LONG DISTANCE POE SUPPORT | 3X POE(300m @100Mbps) | |
| AC FREQUENCY | 50/60 Hz | |
| POWER CONSUMPTION | H3W2GR1V: 11W H3W4GR1V: 10.5W | |
| AUXILIARY POWER SUPPLY | 2.0W , DC1.2V (+/-5%) | |
| MECHANICAL | | |
| DIMENSIONS | 4.96 × 4.80 in. (126.0 × 122.0 mm) | |
| WEIGHT | H3W2GR1V: Product weight: 1.14lb (51.9g) Package Weight: 2.07lb (937g) H3W4GR1V: Product weight: 1.14lb (51.6g) Package Weight: 2.04lb (924g) | |
| CONSTRUCTION | Plastic | |
| CONSTRUCTION COLOR | RAL 9003 (White) | |
| INSTALLATION | Surface mount, Flush mount (bracket supplied) or Wall mount using HD3-MK2 | |
| ENVIRONMENTAL | | |
| OPERATING TEMPERATURE | -22°F to 140°F (-30°C to 60°C) | |
| RELATIVE HUMIDITY | 0% to 95%, non-condensing | |
| REGULATORY | | |
| EMISSIONS | FCC Part 15, CE (EN 55032); Complies: RCM (AS/NZS) | |
| IMMUNITY | CE (EN 50130-4) | |
| SAFETY | North America UL Listed to UL/CSA 60950-1, CE (EN 60950-1) | |
| ROHS | EN50581 | |

(1) Profile T only on H3W2GR1V model

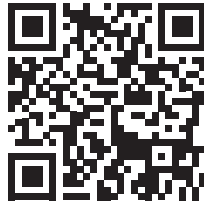
(2) Some development may be required in specific user cases to support some of these protocols in the field as they mature over time.

EQUIP 2MP/4MP Network TDN Low-Light WDR Indoor Dome

RECOMMENDED ACCESSORIES

SYSTEM INTEGRATION

ONVIF support and open API software integration. Refer to www.onvif.org for the ONVIF specification and the Honeywell Open Technology Alliance website (<http://www.security.honeywell.com/hota/>) to learn more about our open and integrated solutions.



HOUSINGS AND MOUNTS

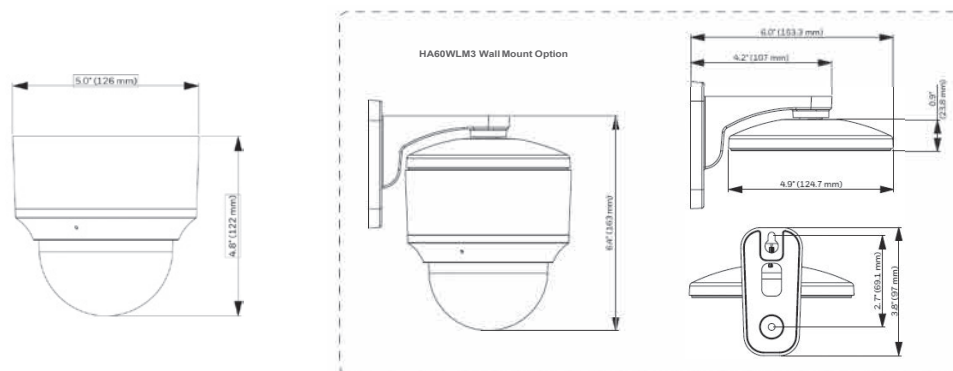
| | | |
|---|--|--|
| H3G-CB | | Replacement Dome (Clear) |
| H3G-SB | | Replacement Dome (Smoke) |
| HA60WLM3 | | Wall Mount Bracket |
| HPOE3X | | 3X Long Distance POE Switch |
| HLR1001 | | IP over Coax Converter |
| 4S BOX | | 4S Box (Depth no less than 2-1/8", need to purchase from market) |
| HD3IP-5K1+HD5-MK2 + HD5CBL/HD5CWH/HD5TBL/HD5TWH | | Plenum Box |

ORDERING

H3W2GR1V 2MP Network Low-Light Indoor Dome Camera, TDN, WDR 120dB, 1/2.8" CMOS, 2.7-13.5mm MFZ lens, 2 IR LEDs, H.265, PoE, microphone, IP42

H3W4GR1V 4MP Network Low-Light Indoor Dome Camera, TDN, WDR 120dB, 1/3" CMOS, 2.7-13.5mm MFZ lens, 2 IR LEDs, H.265, PoE, microphone, IP42

DIMENSIONS



Find out more

www.security.honeywell.com

Honeywell Commercial Security

715 Peachtree St. NE

Atlanta, GA 30308

1.800.323.4576

www.honeywell.com

ONVIF and the ONVIF logo are trademarks of ONVIF Inc. Honeywell reserves the right, without notification, to make changes in product design or specifications.

HSV-H3V-02-US(1020)DS-Z
© 2020 Honeywell International Inc.

Honeywell